



EcoBOSS™ Automatic Butterfly Dampers with dust seal are an essential energy saving component that is ideal for light dust, fume and smoke producing applications.

Installing EcoBOSS™ Butterfly Dampers that are directly connected to the process machinery is **ENERGY SMART!** When a dust producing machine is not in operation, airflow is not required. Power consumption is dramatically reduced, service life and capacity of a filtration system is increased, and the dBA levels of the fan's exhaust will be significantly lower.

EcoBOSS™ Butterfly Dampers are used to independently control airflow on specific machines by linking their open/closed position to the active operation of the individual machines that require dust collection or ventilation.

Optimum energy savings and filter capacity utilization will be achieved by installing an EcoBOSS™ energy management system with EcoBOSS™ Automatic Butterfly Dampers with dust seal.

Standard Features

- Heavy duty galvanized steel construction
- 24 VDC solenoid with LED indicator light (110 VAC is optional)
- Rated for high pressure applications (up to 24" WG)
- 90° flared ends for use with optional quick connection clamps and adaptors

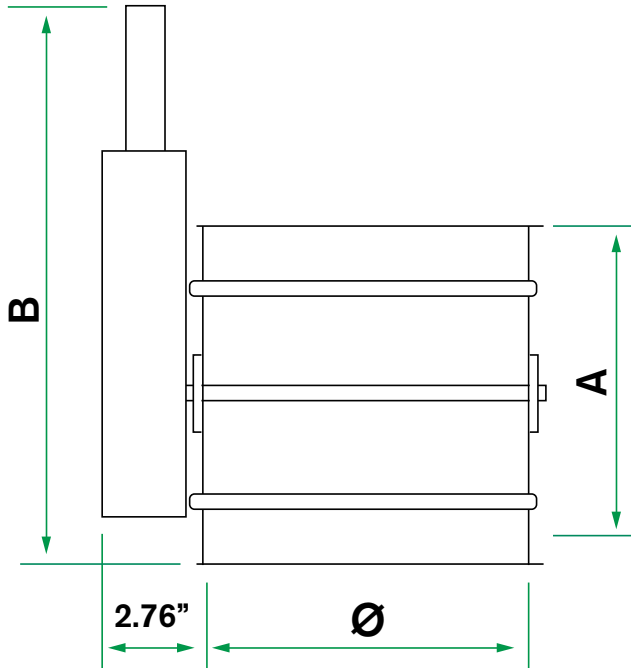
Available Options

- **O-EB-ABD-SV110**
110VAC Solenoid for direct power from machine tool
- **EB-MPK01 & EB-MPK02** –
Transformer panels with plug for use with low voltage sensors on stand-alone applications. Models with delay timers and override switches are available
- **Pneumatic Distribution & Wiring Solutions**
- **Comprehensive EcoBOSS™ Energy Control Systems**



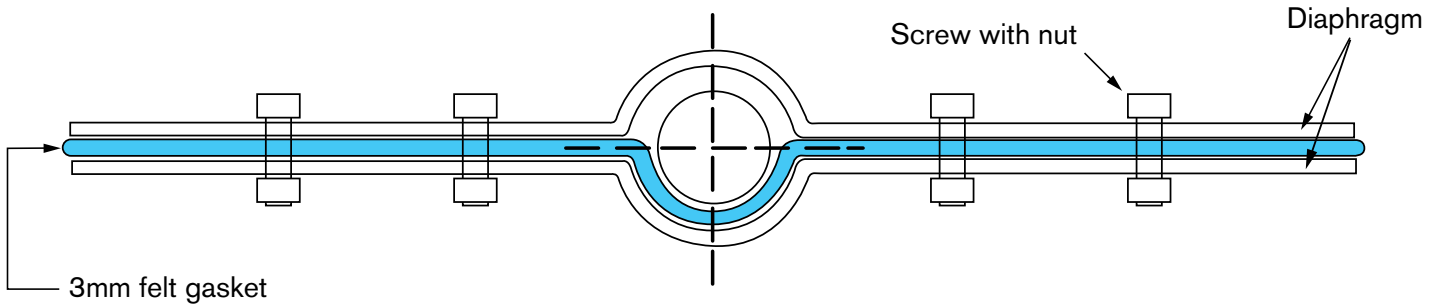
Close up of EcoMAXX™ Automatic Butterfly Damper

AUTOMATIC BUTTERFLY DAMPERS (EB-ABD)



Automatic Butterfly Dampers (ABD00)
Dimensions

Ø	A	B
4"/5"	5.9"	12.2"
6"/7"	6.6"	12.9"
8"/9"	8.6"	14.9"
10"	9.8"	15.7"
12"	11.8"	16.9"
14"	13.7"	17.9"
16"/18"	15.7"	19.6"



*SS304 and SS316 construction are available upon request

**Motorized option with fast acting Servo Motor is available upon request

***Sizes to 40" diameter are available upon request