



Industrial Air Purification, Inc.

Industrial strength in capturing:

- WELDING FUMES
- GRINDING DUSTS
- DRY DUSTS
- SOLDERING FUMES
- POWDERS
- PLASMA CUTTING

Total Air/Energy
SOLUTIONS

Technology • Efficiency • Performance



Sales@TotalAirEnergy.com

www.TotalAirEnergy.com

Phone 206.454.7070

Fax 206.892.9644

727 S. Kenyon St., Seattle, WA 98108



Hanging Arm

Standing Arm

LARGER HOODS OPTIONAL



Industrial Strength Fume Arms

Industrial Air Purification, Inc. • 888-372-0050 x4 • Sales@IAP-AirProducts.com

FUME ARM IN ACTION



Applications:

Welding • Grinding • Polishing • Cutting
Soldering • Chemical Fumes and many more!

Features:

- industrial strength
- versatile design
- smooth tube construction
- external joints and supports
- hood and tube grab handles
- air diverter in the hood
- standard damper

Benefits:

- long lasting life time
- user-friendly operation
- higher airflow performance
- easy to adjust and maintain
- simple positioning
- increased capture velocity
- damper and mounting bracket included



All External Joints and Supports



Standard Damper



Air Diverter and Grab Handle
all around the Hood

Industrial Air Purification, Inc. • 888-372-0050 x4 • Sales@IAP-AirProducts.com

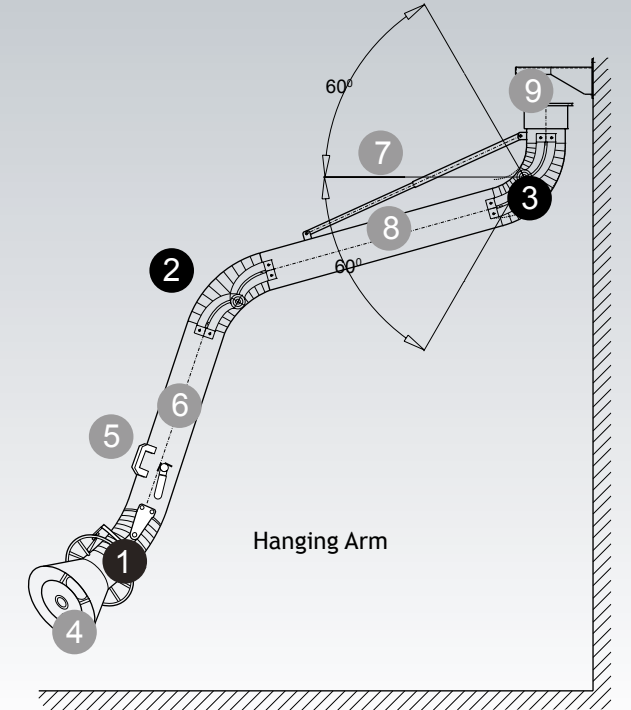
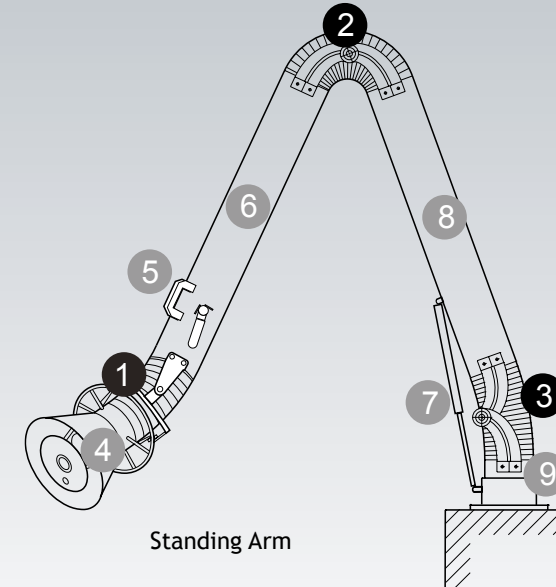
Industrial Strength Fume Arms

Industrial Strength Fume Arms

Industrial Air Purification, Inc. • 888-372-0050 x4 • Sales@IAP-AirProducts.com

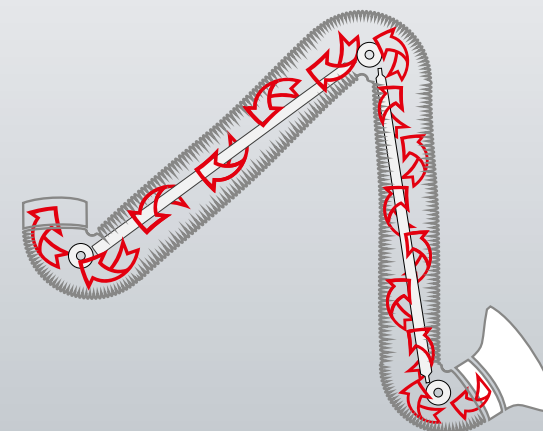
Industrial Strength Construction

- 1 HOOD JOINT**
Hood easily positions forward, backward and sideways. All external adjustments. Flexible hose with gear clamps.
- 2 MIDDLE JOINT**
All external adjustments. Flexible hose with gear clamps.
- 3 SOCKET JOINT**
Rotating swivel with safety stop, for 180° rotation. All external adjustments. Flexible hose with gear clamps.



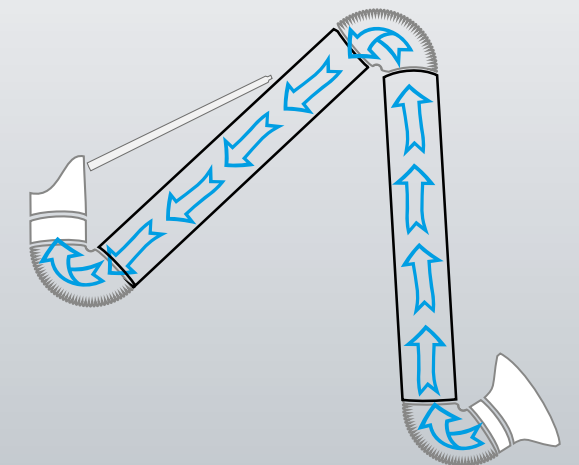
- 4** Aluminium hood (powder coated) with surrounding grab handle.
- 5** Additional tube grab handle.
- 6** Smooth steel tube (powder coated) with standard damper.
- 7** Support spring or gas shock on the outside on both versions.
- 8** Smooth steel tube (powder coated).
- 9** Swivel base with predrilled mounting holes, 350° rotation.

Comparison



Other Brands - Internal Components

- restricted airflow
- higher static pressure
- hard to clean
- build up on joint and components



IAP Fume Arm - External Components

- unrestricted airflow
- lower static pressure
- quick cleaning
- minimal build up

Technical Data

Arm Part #	Tube Diameter [inches]	Arm Length [Feet]	Hood Diameter [inches]	Ductwork Connection [inches]	Mounting Configuration	Typical Restrictions and Air Flow [inches wg]	Arm, Bracket and Hood Weight [lbs]
W02-01-0710	3	3	6	3	Hanging or Standing	5.0 @ 175 cfm	12.4
W02-01-0715	3	5	6	3	Hanging or Standing	5.0 @ 175 cfm	14.4
W02-01-1015	4	5	8	4	Hanging or Standing	4.3 @ 375 cfm	20.9
W02-01-1025	4	8	8	4	Hanging	4.3 @ 375 cfm	24.4
W02-01-1220	5	7	10	5	Hanging or Standing	3.5 @ 550 cfm	43.2
W02-01-1230	5	10	10	5	Hanging	3.5 @ 550 cfm	46.5
W02-01-1620	6	7	12	6	Hanging or Standing	3.0 @ 800 cfm	57.5
W02-01-1630	6	10	12	6	Hanging or Standing	3.0 @ 800 cfm	59.7
W02-01-1640	6	14	12	6	Hanging	3.0 @ 800 cfm	65.2
W02-01-2020	8	7	14	8	Hanging or Standing	2.5 @ 1000 cfm	77.8
W02-01-2030	8	10	14	8	Hanging or Standing	2.5 @ 1000 cfm	83.3
W02-01-2040	8	14	14	8	Hanging	2.5 @ 1000 cfm	93.2

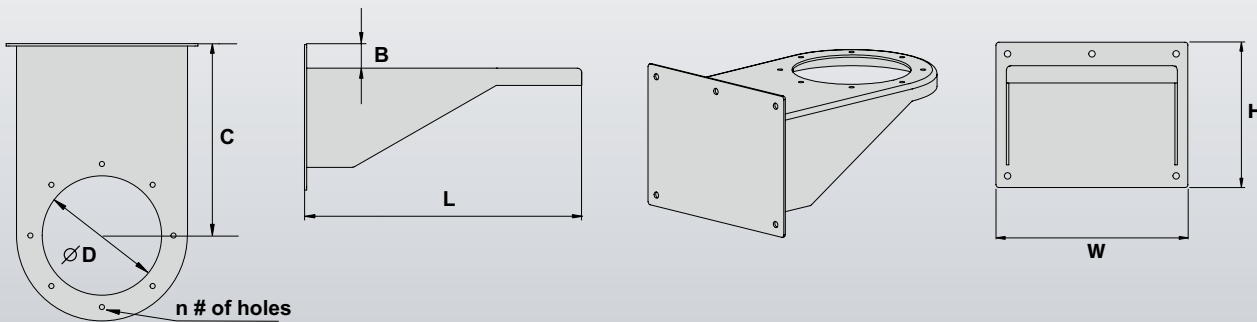
* All hanging arms include wall bracket and galvanized ductwork connection.

* If ordering Standing Arms, place a "P" behind part #.

EQUIPMENT OPTIONS			HOOD OPTIONS	
Exhaust Fan	Floor Stanchions	Light Kits	20" diameter hoods for 6" arms	
Ceiling Stanchions	Extension Booms	Wall Stanchions	20" diameter hoods for 8" arms	

Standard Hanging Mount Brackets

Bracket type Ø [inches]	n	ØD [inches]	C [inches]	L [inches]	B [inches]	W [inches]	H [inches]	Weight [lb]
3	4	2.95	3.54	6.69	0	5.59	3.94	1
4	4	3.94	3.94	7.48	0	6.30	3.94	1
5	6	4.92	6.02	9.96	1.38	9.45	6.30	7.9
6	6	6.30	10.00	14.72	1.38	9.84	6.50	7.9
8	8	8.07	12.36	18.11	1.57	12.99	9.84	13.9



Total Air/Energy SOLUTIONS
Technology • Efficiency • Performance



Sales@TotalAirEnergy.com
www.TotalAirEnergy.com
Phone 206.454.7070
Fax 206.892.9644
727 S. Kenyon St., Seattle, WA 98108

IAP
Industrial Air Purification, Inc.

SINGLE SOURCE FOR

at www.IAP-AirProducts.com
Fume / Welding / Dust Arms
Ambient Air Cleaners, Mobile Welding Units
Dust Collectors, Vehicle Exhaust, etc.

Industrial Strength Fume Arms

Industrial Air Purification, Inc. • 888-372-0050 x4 • Sales@IAP-AirProducts.com