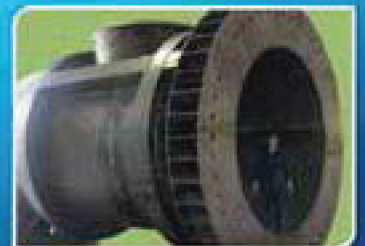


KB Duct

A CECO Environmental Brand



Industrial Ductwork Solutions for a cleaner, safer working environment



KB Duct

A CECO Environmental Brand

KB Duct is a true pioneer in the industrial ductwork market.

Since 1907, Kirk & Blum has been the nation's largest manufacturer of industrial sheet metal components. We provide solutions for the engineering and manufacturing of products and systems leading to **cleaner, safer working environments** around the world.

Today, KB Duct provides the widest range of ducting systems, individual components and application-specific duct solutions for industrial dust, fume, mist and air handling. We offer the **fastest delivery** on flanged and clamp-together duct in **all gauges, all materials for all application needs**. No one else can match our accumulated knowledge, support and capabilities.

- **A complete offering of industrial ducting - flanged and clamp-together.**
- **Individual components or complete systems, including all accessories.**
- **Custom and heavy fabrications.**
- **Custom development of special products. You draw it and we can make it!**
- **Free design services. We can turn the roughest drawings into full 3-D system designs.**
- **Highest quality - guaranteed! From the latest technology and production techniques.**
- **Full service and support at all levels.**
- **Fastest delivery in the industry.**
- **Nationwide sales, service and production facilities, for better service and faster delivery.**

As a member of CECO Environmental, we are part of one of the world's leading industrial technology companies, providing innovative solutions for the environmental, energy, and fluid handling/filtration industries. Through our well-known brands, CECO provides a wide spectrum of products and services that play a vital role in helping companies achieve exacting production standards, meet increasing plant needs and comply with stringent regulations.

At KB Duct, we have earned our reputation for excellence by providing the widest capabilities, highest quality, and most responsive customer service in the industry.

Contact us today for a FREE 3D rendering of your project or a FREE Quote.



2016 Product Catalog

Table of Contents

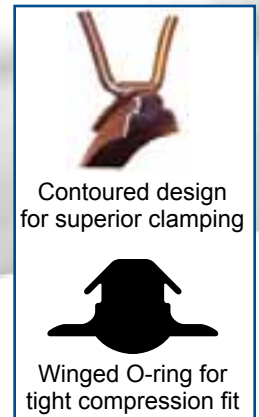
Forever Clamps & Duct	Pg 4 - 10	Accessories	Pg 36-49
Forever Clamp	Pg 6	Ball Joints	Pg 37
O-Rings	Pg 7	Flex Hoses	Pg 38
Clamp Together Duct	Pg 8	Steel Flex Hoses	Pg 38
Flanged Duct	Pg 9	Bell mouths	Pg 39
Adjustable Sleeve	Pg 10	Butterfly Valves	Pg 40
Elbows	Pg 11-15	Floor Sweep	Pg 41
Elbows - Pressed Halves	Pg 12	Kwik Hangers	Pg 42
Elbows - Tubed Standard / Flanged	Pg 13	No-Loss Stackheads	Pg 43
Elbows - Gored Standard / Flanged	Pg 14-15	Rain Caps	Pg 44
Branches	Pg 16-25	Viewing Spools	Pg 45
Double Lateral Branches - Standard / Flanged	Pg 17-18	Custom Hoods	Pg 46
Lateral Branches - Standard / Flanged	Pg 19-20	Transitions - Flanged	Pg 47
T-Branches - Standard / Flanged	Pg 21	End Caps	Pg 48
Y Branches - Standard / Flanged	Pg 22-23	Stack Flanges	Pg 49
In-Cuts - Standard / Flanged	Pg 24-25	Roof Flanges	Pg 49
Adapters	Pg 26-30	Solution Products	Pg 50-59
Adapters - Standard / Flanged	Pg 27	NFPA No Return Valve	Pg 51
Hose Adapters	Pg 28	Spark Buster	Pg 52
Reducers - Standard / Flanged	Pg 29-30	Fume Arms	Pg 53
Blast Gates & Cut-Offs	Pg 31-35	Cyclones	Pg 54
Air-Tight Automatic UHMW Gates	Pg 32	Silencers	Pg 55
Air-Tight Blast Gates	Pg 33	Blue Oil Mist Gasket	Pg 56
Automatic Cut-offs	Pg 34	Diverter Valves	Pg 57
Cut-Offs	Pg 35	Oil Mist Accumulator	Pg 58
		Oil Mist Curb	Pg 59
		Vibration Dampeners	Pg 59

Superior Clamping, Faster Installation and Infinite Adjustability!

KB Clamp Together Duct Provides You With...

- Adjustability
- Flexibility
- Re-useability
- Efficiency - Compared to spiral
- Serviceability - Easy Access

50% - 70%
labor time savings
compared to spiral
or flanged duct



Contoured design for superior clamping

Winged O-ring for tight compression fit



Standard



Adjustable



Unique 360° "forever" compression seal reduces leaks.



Clamp overlaps for a super tight seal.



NEW blue gasket option for oil mist applications.

Features & Benefits

- **Fully welded seams:** All laterals, branches and "Y" fittings are welded and sealed
- **Adjustability:** 2" of adjustability in all elbows and laterals for standard gauges only unless specified
- **Custom fabrication:** Hoods, transitions, square to round, Plenums and more
- **304; 316 Stainless and Galvanized** materials up to 10 gauge

NEW Patent Pending Forever Clamp Design

- **360° Forever Seal:** Continuous overlap ensures alignment
- **Concave Design:** Grabs both rolled lips to enhance the connection
- **Buna N Gasket:** Gasket is more malleable
- **Improved welds on the handle**
- **NEW Blue Gasket Option:** Use in conjunction with our forever clamp for a tighter seal

Two Key Methods Of Adjustment

Quickly make infinite adjustments to fit any length of space between fittings

- Use 11" adjustable sleeve for non-standard lengths
- Use adjustable collars with an O-ring for critical short adjustments

Superior Clamping

The KB Duct Forever Clamp is designed for quick, secure, repetitive use

- Heavy duty "winged" O-ring gasket provides tight compression around the rolled lips of the duct
- All welded and 309 stainless steel construction means that the clamp will perform time after time... **FOREVER...Guaranteed**



Just Cut It, Fit It and Click It!

KB Duct

A CECO Environmental Brand

CALL US TOLL FREE AT

1-866-562-3828

WWW.CECOENVIRO.COM/
KBDUCT

KB Duct Forever Clamps



Standard



Adjustable

Standard	
Dia.	Part#
3"	13003
4"	13004
5"	13005
6"	13006
7"	13007
8"	13008
9"	13009
10"	13010
11"	13011
12"	13012
13"	13013
14"	13014
15"	13015
16"	13016
17"	13017
18"	13018
19"	13019
20"	13020
22"	13022
24"	13024

Adjustable	
Dia.	Part#
3"	13003A
4"	13004A
5"	13005A
6"	13006A
7"	13007A
8"	13008A
9"	13009A
10"	13010A
11"	13011A
12"	13012A
13"	13013A
14"	13014A
15"	13015A
16"	13016A
17"	13017A
18"	13018A
19"	13019A
20"	13020A
22"	13022A
24"	13024A

KB Duct's all welded stainless steel Forever Clamp and Adjustable Forever Clamp feature our famous "Forever" Guarantee. As needed or requested, other gasket materials can be supplied.

RED SILICONE: Used primarily on high heat and FDA applications (Extruded replacement gasket). Temp rating for gaskets - Max 475° F

VITON: Oil Mist and chemical (overlay tape to prevent gasket saturation).

GORE-TEX: Used in some oil mist and chemical applications (overlay tape to prevent gasket saturation).

Buna-N or red silicone are both available as clamp gasket and as an option for O-rings on our adjustable sleeves.

O-rings



Standard Buna-N



Red Silicone FDA High Temp

Standard O-ring is made of Buna-N—40 durometer rubber. Highly resistant to most chemicals and oils. Maximum temp rating to 250 degs F. Red Silicone, Viton and other materials are also available.

Additional O-Ring	
Part#	Hi-Temp
11103	11103HT
11104	11104HT
11105	11105HT
11106	11106HT
11107	11107HT
11108	11108HT
11109	11109HT
11110	11110HT
11111	11111HT
11112	11112HT
11113	11113HT
11114	11114HT
11115	11115HT
11116	11116HT
11117	11117HT
11118	11118HT
11119	11119HT
11120	11120HT
11122	11122HT
11124	11124HT

Clamp Together Duct

Galvanized and Stainless Steel - Standard 5' Lengths



*Standard lock seam duct.
Plasma weld seams available.*

Dia.	Part#	Std.Ga.	Hvy.Ga.
3"	10003	26	to 11 ga. tubing
4"	10004	24	to 11 ga. tubing
5"	10005	24	to 11 ga. tubing
6"	10006	24	to 11 ga. tubing
7"	10007	22	To 14 ga.
8"	10008	22	To 12 ga.
9"	10009	22	To 10 ga.
10"	10010	22	To 10 ga.
11"	10011	22	To 10 ga.
12"	10012	22	To 10 ga.
13"	10013	20	To 10 ga.
14"	10014	20	To 10 ga.
15"	10015	20	To 10 ga.
16"	10016	20	To 10 ga.
17"	10017	20	To 10 ga.
18"	10018	20	To 10 ga.
19"	10019	20	To 10 ga.
20"	10020	20	To 10 ga.
22"	10022	20	To 10 ga.
24"	10024	20	To 10 ga.

If using Stainless Steel add an "SS" to the end of the part #.

HEAVY Gauge Duct is constructed with a welded seam and a standard gauge rolled lip "collar" is welded flush over the end.

Other ducting materials are also available.

Flanged Duct

Galvanized and Stainless Steel - Standard 5' Lengths



Flange Duct (with flanges)		
Dia.	Part#	GA
4"	20004	24+
5"	20005	24+
6"	20006	24+
7"	20007	22
8"	20008	22
9"	20009	22
10"	20010	22
11"	20011	22
12"	20012	22
13"	20013	20
14"	20014	20
15"	20015	20
16"	20016	20
17"	20017	20
18"	20018	20
19"	20019	20
20"	20020	20
22"	20022	20
24"	20024	18
26"	20026	18
28"	20028	18
30"	20030	18
32"	20032	18
34"	20034	18
36"	20036	18
38"	20038	18
40"	20040	18
42"	20042	16
44"	20044	16
46"	20046	16
48"	20048	16

***If using Stainless Steel, add an "SS" to the end of the Part#.**

Flanged duct is available in 5' or 10' lengths. It is also available fully seam welded or in lock seamed joints. Lock seamed is only available in 5 foot sections .

Standard flanges are galvanized.

Available also in black iron, heavier gauges and larger sizes.

11" Standard Adjustable Sleeves



Adjustable Sleeve	
Part #	Dia.
11003	3"
11004	4"
11005	5"
11006	6"
11007	7"
11008	8"
11009	9"
11010	10"
11011	11"
11012	12"
11013	13"
11014	14"
11015	15"
11016	16"
11017	17"
11018	18"
11019	19"
11020	20"
11022	22"
11024	24"

If using Stainless Steel add an "SS" to the end of the part #.

** 1- O-ring is supplied with each adjustable sleeve.

A field fitting adjustment is made by cutting a standard 5' duct section and slipping the Adjustable Sleeve over the cut end. The supplied O-ring replaces the rolled bead of the cut 5' duct section and secures the sleeve into place when clamped.

Additional O-rings may be needed when utilizing our Infinite Adjustability Feature with all K&B Duct standard fittings. A cut 5' duct section can be slipped into the collar of a fitting and secured into place with an O-ring when clamped.

***** Add "HT" to the part number to order Red Silicone O-rings with your Adjustable Sleeve.**

KB Duct Elbows Help You Make All The **Right Turns!**

Pressed Elbow - Constructed of galvanized steel ONLY. Available in sizes 3" to 10" and 12" diameter. Stamped halves that are welded together with a continuous "pressed" weld accomplished by using an inner and outer welding wheel. The KB Duct rolled lip collar is spot welded to the elbow and a beader forms the metal so that the ends of the metal are out of the air stream.

Pressed elbows are good for all dust applications. Larger sizes are recommended for light dust or air systems only, as their gauge is not as heavy as those of the other elbows offered.



Tubed Elbow - Constructed of galvanized or SS in sizes 3"-6" and 8" diameter (the ONLY SS elbow offered in smaller diameters). Tubed elbows are VERY heavy gauge tubing. Standard KB Duct collar applied in a slip over or into fashion. Elbows are unidirectional.

Tubed elbows are perfect for abrasive applications. They can be provided in long radius in smaller diameters. This is the best choice for a "completely" smooth (no gap) elbow. Interior buffing available for paper trim or fiber applications.



Gored Elbow - Constructed of galvanized or SS starting at 7" diameter. The gores (segments) are cut and then formed so that the ends of the gores are locked together. If heavy gauges are needed (greater than 18 gauge) the gores are butt welded. The number of gores varies with the size and angle of the elbow. Gored elbows can be made in ANY angle desired.

Gored elbows are good as an "all around" elbow, providing smooth interior and heavy duty construction. The interior can be used for paper trim and fiber applications.



Elbow - Pressed Halves



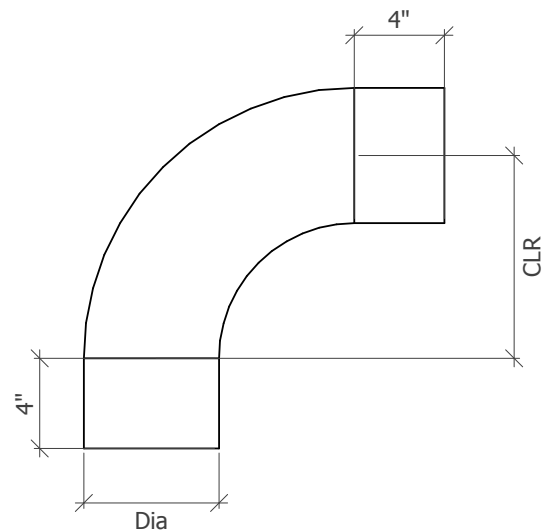
Standard Radius (1.5 x D)					
Dia.	90 deg	60 deg	45 deg	30 deg	GA
	Part#	Part#	Part#	Part#	
3"	12303.90	12303.60	12303.45	12303.30	22
4"	12304.90	12304.60	12304.45	12304.30	22
5"	12305.90	12305.60	12305.45	12305.30	22
6"	12306.90	12306.60	12306.45	12306.30	22
7"	12307.90	12307.60	12307.45	12307.30	22
8"	12308.90	12308.60	12308.45	12308.30	22
9"	12309.90	12309.60	12309.45	12309.30	22
10"	12310.90	12310.60	12310.45	12310.30	22
12"	12312.90	12312.60	12312.45	12312.30	22

CONSTRUCTION:

Available in galvanized only. They are constructed of stamped halves that are then welded with a stitch weld that is accomplished by using an inner and outer welding wheel.

APPLICATION:

Sizes 3" through 6" are good for most dust applications. Sizes 7" through 12" are recommended for light dust, oil mist and fume.

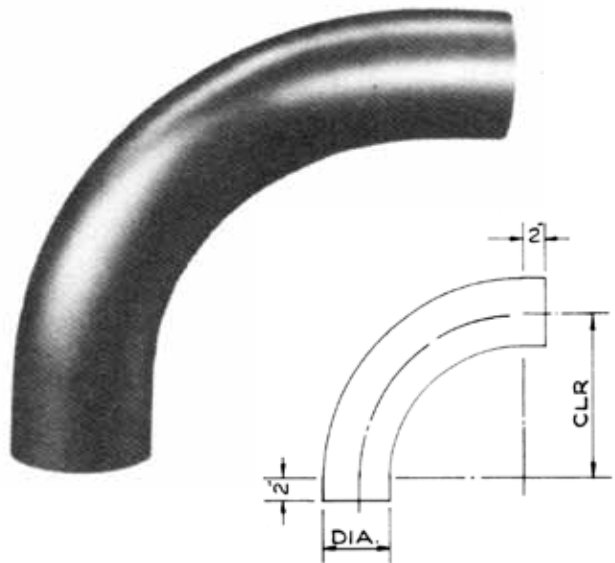


Elbows - Tubed Standard and Flanged



Standard Radius (1.5 x D)					
	90 deg	60 deg	45 deg	30 deg	
Dia.	Part#	Part#	Part#	Part#	GA
3"	12403.90	12403.60	12403.45	12403.30	16
4"	12404.90	12404.60	12404.45	12404.30	16
5"	12405.90	12405.60	12405.45	12405.30	14
6"	12406.90	12406.60	12406.45	12406.30	14
8"	12408.90	12408.60	12408.45	12408.30	14

Standard Radius (2.5 x D)					
	90 deg	60 deg	45 deg	30 deg	
Dia.	Part#	Part#	Part#	Part#	GA
3"	12403.90L	12403.60L	12403.45L	12403.30L	16
4"	12404.90L	12404.60L	12404.45L	12404.30L	16
5"	12405.90L	12405.60L	12405.45L	12405.30L	14
6"	12406.90L	12406.60L	12406.45L	12406.30L	14
8"	12408.90L	12408.60L	12408.45L	12408.30L	14



Standard Radius (1.5 x D)					
	90 deg	60 deg	45 deg	30 deg	
Dia.	Part#	Part#	Part#	Part#	GA
3"	22403.90	22403.60	22403.45	22403.30	16
4"	22404.90	22404.60	22404.45	22404.30	16
5"	22405.90	22405.60	22405.45	22405.30	14
6"	22406.90	22406.60	22406.45	22406.30	14
8"	22408.90	22408.60	22408.45	22408.30	14

Standard Radius (2.5 x D)					
	90 deg	60 deg	45 deg	30 deg	
Dia.	Part#	Part#	Part#	Part#	GA
3"	22403.90L	22403.60L	22403.45L	22403.30L	16
4"	22404.90L	22404.60L	22404.45L	22404.30L	16
5"	22405.90L	22405.60L	22405.45L	22405.30L	14
6"	22406.90L	22406.60L	22406.45L	22406.30L	14
8"	22408.90L	22408.60L	22408.45L	22408.30L	14

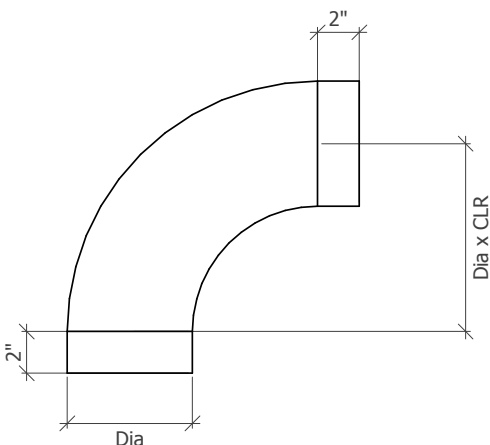
If using Stainless Steel add an "SS" to the end of the part #.

APPLICATION:
Tubed Elbows have a smooth interior and are typically utilized in paper, fiber, FDA and heavy abrasive applications.

All sizes available in 11 gauge.

Elbows - Gored Standard

Segmented



If using Stainless Steel add an "SS" to the end of the part #.

CONSTRUCTION:

Available in galvanized or SS. Starting at size 7", the gored (segments) are cut and then formed so the ends of the gores are locked together. The number of gores varies with the size and angle of the elbow.

**While standard 1.5 and 2.5 center line radii are shown other radii and custom angles are also available.

APPLICATION:

In the event heavy gauges are needed (greater than 18 gauge) the gores are butt welded. The interior can be buffed for paper trim and fiber applications. The rolled lip collar adds a 2" tangent to the length of the elbow. For heavy gauge elbows the 2" collar is welded flush.

Standard Radius (1.5 x D)					
	90 deg	60 deg	45 deg	30 deg	
Dia.	Part#	Part#	Part#	Part#	GA
7"	12007.90	12007.60	12007.45	12007.30	20
8"	12008.90	12008.60	12008.45	12008.30	20
9"	12009.90	12009.60	12009.45	12009.30	20
10"	12010.90	12010.60	12010.45	12010.30	20
11"	12011.90	12011.60	12011.45	12011.30	18
12"	12012.90	12012.60	12012.45	12012.30	18
13"	12013.90	12013.60	12013.45	12013.30	18
14"	12014.90	12014.60	12014.45	12014.30	18
15"	12015.90	12015.60	12015.45	12015.30	18
16"	12016.90	12016.60	12016.45	12016.30	18
17"	12017.90	12017.60	12017.45	12017.30	18
18"	12018.90	12018.60	12018.45	12018.30	18
19"	12019.90	12019.60	12019.45	12019.30	18
20"	12020.90	12020.60	12020.45	12020.30	18
22"	12022.90	12022.60	12022.45	12022.30	18
24"	12024.90	12024.60	12024.45	12024.30	18

Long Radius (2.5 x D)					
	90 deg	60 deg	45 deg	30 deg	
Dia.	Part#	Part#	Part#	Part#	GA
7"	12007.90L	12007.60L	12007.45L	12007.30L	20
8"	12008.90L	12008.60L	12008.45L	12008.30L	20
9"	12009.90L	12009.60L	12009.45L	12009.30L	20
10"	12010.90L	12010.60L	12010.45L	12010.30L	20
11"	12011.90L	12011.60L	12011.45L	12011.30L	18
12"	12012.90L	12012.60L	12012.45L	12012.30L	18
13"	12013.90L	12013.60L	12013.45L	12013.30L	18
14"	12014.90L	12014.60L	12014.45L	12014.30L	18
15"	12015.90L	12015.60L	12015.45L	12015.30L	18
16"	12016.90L	12016.60L	12016.45L	12016.30L	18
17"	12017.90L	12017.60L	12017.45L	12017.30L	18
18"	12018.90L	12018.60L	12018.45L	12018.30L	18
19"	12019.90L	12019.60L	12019.45L	12019.30L	18
20"	12020.90L	12020.60L	12020.45L	12020.30L	18
22"	12022.90L	12022.60L	12022.45L	12022.30L	18
24"	12024.90L	12024.60L	12024.45L	12024.30L	18

Elbows - Gored Flanged Segmented



***If using Stainless Steel, add an "SS" to the end of the Part#.**

Available in heavier gauges and larger sizes.

Standard Radius (1.5)					
	90 deg	60 deg	45 deg	30 deg	
Dia.	Part#	Part#	Part#	Part#	GA
7"	22007.90	22007.60	22007.45	22007.30	20
8"	22008.90	22008.60	22008.45	22008.30	20
9"	22009.90	22009.60	22009.45	22009.30	20
10"	22010.90	22010.60	22010.45	22010.30	20
11"	22011.90	22011.60	22011.45	22011.30	20
12"	22012.90	22012.60	22012.45	22012.30	20
13"	22013.90	22013.60	22013.45	22013.30	18
14"	22014.90	22014.60	22014.45	22014.30	18
15"	22015.90	22015.60	22015.45	22015.30	18
16"	22016.90	22016.60	22016.45	22016.30	18
17"	22017.90	22017.60	22017.45	22017.30	18
18"	22018.90	22018.60	22018.45	22018.30	18
19"	22019.90	22019.60	22019.45	22019.30	18
20"	22020.90	22020.60	22020.45	22020.30	18
21"	22021.90	22021.60	22021.45	22021.30	18
22"	22022.90	22022.60	22022.45	22022.30	18
23"	22023.90	22023.60	22023.45	22023.30	18
24"	22024.90	22024.60	22024.45	22024.30	18

Long Radius (2.5)					
	90 deg	60 deg	45 deg	30 deg	
Dia.	Part#	Part#	Part#	Part#	GA
7"	22007.90L	22007.60L	22007.45L	22007.30L	20
8"	22008.90L	22008.60L	22008.45L	22008.30L	20
9"	22009.90L	22009.60L	22009.45L	22009.30L	20
10"	22010.90L	22010.60L	22010.45L	22010.30L	20
11"	22011.90L	22011.60L	22011.45L	22011.30L	20
12"	22012.90L	22012.60L	22012.45L	22012.30L	20
13"	22013.90L	22013.60L	22013.45L	22013.30L	18
14"	22014.90L	22014.60L	22014.45L	22014.30L	18
15"	22015.90L	22015.60L	22015.45L	22015.30L	18
16"	22016.90L	22016.60L	22016.45L	22016.30L	18
17"	22017.90L	22017.60L	22017.45L	22017.30L	18
18"	22018.90L	22018.60L	22018.45L	22018.30L	18
19"	22019.90L	22019.60L	22019.45L	22019.30L	18
20"	22020.90L	22020.60L	22020.45L	22020.30L	18
21"	22021.90L	22021.60L	22021.45L	22021.30L	18
22"	22022.90L	22022.60L	22022.45L	22022.30L	18
23"	22023.90L	22023.60L	22023.45L	22023.30L	18
24"	22024.90L	22024.60L	22024.45L	22024.30L	18

KB Duct Branches are Available in All Sizes and Styles

KB Duct branches are available in single, double lateral, T, Y-branches, in clamp together, raw end and flanged styles.

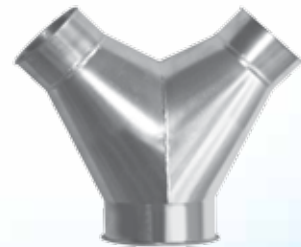
Lateral Branches - Available in single and double branches, the duct tapers as the new line enters the main line. The new line is bringing in more air. The exiting part of the branch (toward the fan) is therefore bigger to accommodate the increase in air. The new line normally enters at 30 or 45 degree and merges into the air flow.



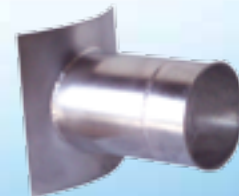
T Branches - T branches are named for the 90 degree angle of the branch, similar to a "T". T branches do not provide the best air flow for negative systems as they increase static pressure and can cause the air to flow past the side line and pull only from the straight end where the flow is easier. T branches are often used in positive systems- where the air is being pushed.



Y-Branches - Consist of two inlets diverging from the center line. Once again, the volume of the outlet is the sum of the two inlets. Typically the two inlets are the same size. If one needs to be smaller than the other, the branch is made with the two inlets equal to the largest requirement and then a reducer is used to reduce to the smaller requirement.



Incuts - Incuts are used to create a branch on an existing trunk line. To create a new branch with an incut, a hole is cut in the pipe at the location of the branch. The incut is saddled over the hole and fastened with tech screws and caulked.



Double Lateral Branches



Dia.	30 deg	45 deg	GA
	Part#	Part#	
3"	14103.30	14103.45	18
4"	14104.30	14104.45	18
5"	14105.30	14105.45	18
6"	14106.30	14106.45	18
7"	14107.30	14107.45	18
8"	14108.30	14108.45	18
9"	14109.30	14109.45	18
10"	14110.30	14110.45	18
11"	14111.30	14111.45	18
12"	14112.30	14112.45	18
13"	14113.30	14113.45	18
14"	14114.30	14114.45	18
15"	14115.30	14115.45	18
16"	14116.30	14116.45	18
17"	14117.30	14117.45	18
18"	14118.30	14118.45	18
19"	14119.30	14119.45	18
20"	14120.30	14120.45	18
22"	14122.30	14122.45	18
24"	14124.30	14124.45	18

Branches

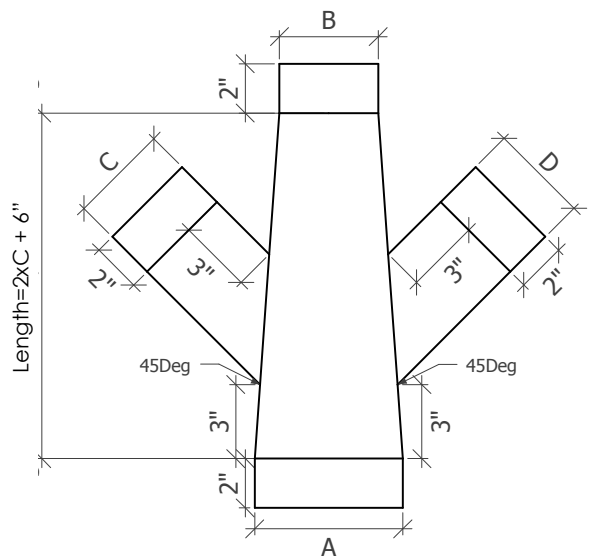
If using Stainless Steel add an "SS" to the end of the part #.

CONSTRUCTION:

18 gauge with fully welded branch taps. The formula for determining the length of each Standard Double Branch is shown to the right.

Sized and priced by the large end ("A" Dimension).

*Heavier gauges and fully welded options are available.



Double Lateral Branches - Flanged



Galvanized and Stainless Steel

***If using Stainless Steel, add an "SS" to the end of the Part#.**

Available in heavier gauges and larger sizes.

Part # s			
Dia.	30 deg	45 deg	GA
4"	24104.3	24104.45	18
5"	24105.3	24105.45	18
6"	24106.3	24106.45	18
7"	24107.3	24107.45	18
8"	24108.3	24108.45	18
9"	24109.3	24109.45	18
10"	24110.3	24110.45	18
11"	24111.3	24111.45	18
12"	24112.3	24112.45	18
13"	24113.3	24113.45	18
14"	24114.3	24114.45	18
15"	24115.3	24115.45	18
16"	24116.3	24116.45	18
17"	24117.3	24117.45	18
18"	24118.3	24118.45	18
19"	24119.3	24119.45	18
20"	24120.3	24120.45	18
22"	24122.3	24124.45	18
24"	24124.3	24124.45	18

Lateral Branches



Dia.	30 deg	45 deg	GA
	Part#	Part#	
4"	14004.30	14004.45	18
5"	14005.30	14005.45	18
6"	14006.30	14006.45	18
7"	14007.30	14007.45	18
8"	14008.30	14008.45	18
9"	14009.30	14009.45	18
10"	14010.30	14010.45	18
11"	14011.30	14011.45	18
12"	14012.30	14012.45	18
13"	14013.30	14013.45	18
14"	14014.30	14014.45	18
15"	14015.30	14015.45	18
16"	14016.30	14016.45	18
17"	14017.30	14017.45	18
18"	14018.30	14018.45	18
19"	14019.30	14019.45	18
20"	14020.30	14020.45	18
22"	14022.30	14022.45	18
24"	14024.30	14024.45	18

If using Stainless Steel add an "SS" to the end of the part #.

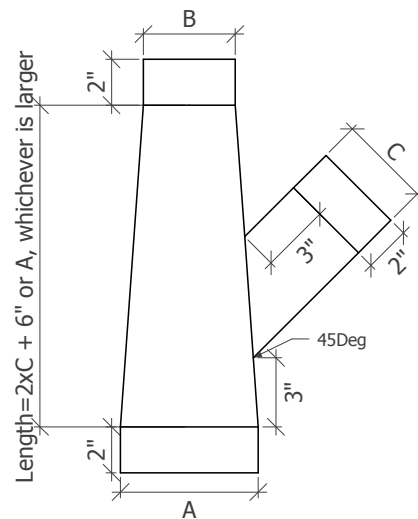
CONSTRUCTION:

18 gauge with a fully welded branch tap. The seam of the branch is lapped, spot welded and caulked. The formula for determining the length of each Standard Branch is shown to the right.

Sized and priced by the large end ("A" Dimension).

*Heavier gauges and fully welded options are available.

Dimensions on the branch are called out by A-B-C where C is the branch.



Lateral Branches - Flanged



Galvanized and Stainless Steel

	30 deg	45 deg	
Dia.	Part #	Part #	GA
4"	24004.30	24004.45	18
5"	24005.30	24005.45	18
6"	24006.30	24006.45	18
7"	24007.30	24007.45	18
8"	24008.30	24008.45	18
9"	24009.30	24009.45	18
10"	24010.30	24010.45	18
11"	24011.30	24011.45	18
12"	24012.30	24012.45	18
13"	24013.30	24013.45	18
14"	24014.30	24014.45	18
15"	24015.30	24015.45	18
16"	24016.30	24016.45	18
17"	24017.30	24017.45	18
18"	24018.30	24018.45	18
19"	24019.30	24019.45	18
20"	24020.30	24020.45	18
22"	24022.30	24022.45	18
24"	24024.30	24024.45	18
26"	24026.30	24026.45	16
28"	24028.30	24028.45	16
30"	24030.30	24030.45	16
32"	24032.30	24032.45	16

***If using Stainless Steel, add an "SS" to the end of the Part#.**

Available in heavier gauges and larger sizes.

T-Branches



Standard		
Dia.	T-branch	GA
	Part#	
3"	14303	18
4"	14304	18
5"	14305	18
6"	14306	18
7"	14307	18
8"	14308	18
9"	14309	18
10"	14310	18
11"	14311	18
12"	14312	18
13"	14313	18
14"	14314	18
15"	14315	18
16"	14316	18
17"	14317	18
18"	14318	18
19"	14319	18
20"	14320	18
22"	14322	18
24"	14324	18

Flanged		
Dia.	T-branch	GA
	Part#	
3"	24303	18
4"	24304	18
5"	24305	18
6"	24306	18
7"	24307	18
8"	24308	18
9"	24309	18
10"	24310	18
11"	24311	18
12"	24312	18
13"	24313	18
14"	24314	18
15"	24315	18
16"	24316	18
17"	24317	18
18"	24318	18
19"	24319	18
20"	24320	18
22"	24322	18
24"	24324	18

Branches

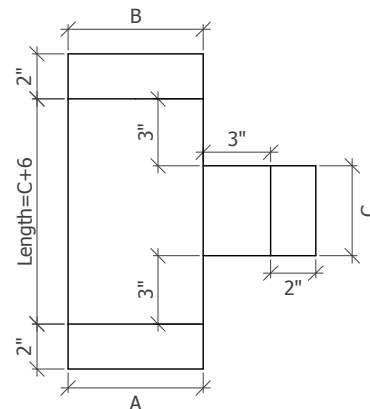
If using Stainless Steel add an "SS" to the end of the part #.

CONSTRUCTION:

18 gauge with a fully welded branch tap. The seam of the branch is lapped, spot welded and caulked. The formula for determining the length of each Standard Branch is shown to the right.

Sized and priced by the large end ("A" Dimension).

*Heavier gauges and fully welded options are available.



Y Branches



Dia.	30 deg	45 deg	GA
	Part#	Part#	
3"	14203.30	14203.45	18
4"	14204.30	14204.45	18
5"	14205.30	14205.45	18
6"	14206.30	14206.45	18
7"	14207.30	14207.45	18
8"	14208.30	14208.45	18
9"	14209.30	14209.45	18
10"	14210.30	14210.45	18
11"	14211.30	14211.45	18
12"	14212.30	14212.45	18
13"	14213.30	14213.45	18
14"	14214.30	14214.45	18
15"	14215.30	14215.45	18
16"	14216.30	14216.45	18
17"	14217.30	14217.45	18
18"	14218.30	14218.45	18
19"	14219.30	14219.45	18
20"	14220.30	14220.45	18
22"	14222.30	14222.45	18
24"	14224.30	14224.45	18

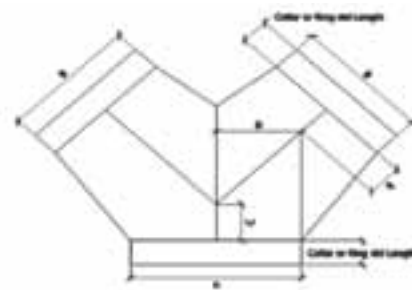
If using Stainless Steel add an "SS" to the end of the part #.

CONSTRUCTION:

18 gauge. The halves are fully welded at the seam. The formula for determining the length of each Y Branch is shown to the right.

Sized and priced by the large end ("A" Dimension).

*Heavier gauges and fully welded options are available.



Y Branch 30 or 45 deg

A	B	C	D	E
6" & Up	Varies	1/4 of A + Collar or Ring	1/2 of A	1/4 of B

Y-Branches - Flanged



Galvanized and Stainless Steel

***If using Stainless Steel, add an "SS" to the end of the Part#.**

Available in heavier gauges and larger sizes.

	Part #	Part #	
Dia.	30 deg	45 deg	GA
4"	24204.3	24204.45	18
5"	24205.3	24205.45	18
6"	24206.3	24206.45	18
7"	24207.3	24207.45	18
8"	24208.3	24208.45	18
9"	24209.3	24209.45	18
10"	24210.3	24210.45	18
11"	24211.3	24211.45	18
12"	24212.3	24212.45	18
13"	24213.3	24213.45	18
14"	24214.3	24214.45	18
15"	24215.3	24215.45	18
16"	24216.3	24216.45	18
17"	24217.3	24217.45	18
18"	24218.3	24218.45	18
19"	24219.3	24219.45	18
20"	24220.3	24220.45	18
22"	24222.3	24222.45	18
24"	24224.3	24224.45	18
26"	24226.3	24226.45	16
28"	24228.3	24228.45	16
30"	24230.3	24230.45	16
32"	24232.3	24232.45	16
34"	24234.3	24234.45	16
36"	24236.3	24236.45	16
38"	24238.3	24238.45	16
40"	24240.3	24240.45	16
42"	24242.3	24242.45	16
44"	24244.3	24244.45	16
46"	24246.3	24246.45	16
48"	24248.3	24248.45	16

In-Cuts



Dia.	30 deg	45 deg	Tee'	GA
	Part#	Part#	Part#	
3"	14403.30	14403.45	14503	18
4"	14404.30	14404.45	14504	18
5"	14405.30	14405.45	14505	18
6"	14406.30	14406.45	14506	18
7"	14407.30	14407.45	14507	18
8"	14408.30	14408.45	14508	18
9"	14409.30	14409.45	14509	18
10"	14410.30	14410.45	14510	18
11"	14411.30	14411.45	14511	18
12"	14412.30	14412.45	14512	18
13"	14413.30	14413.45	14513	18
14"	14414.30	14414.45	14514	18
15"	14415.30	14415.45	14515	18
16"	14416.30	14416.45	14516	18
17"	14417.30	14417.45	14517	18
18"	14418.30	14418.45	14518	18
19"	14419.30	14419.45	14519	18
20"	14420.30	14420.45	14520	18
22"	14422.30	14422.45	14522	18
24"	14424.30	14424.45	14524	18

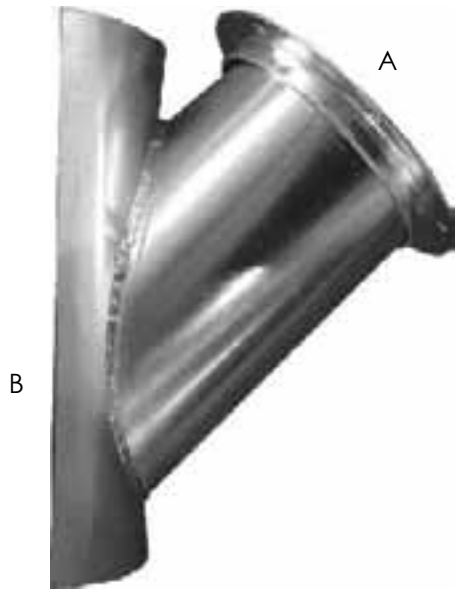
If using Stainless Steel add an "SS" to the end of the part #.

CONSTRUCTION:

18 gauge. Fully welded tap. Standard tap length is 5". In cuts are designed for quick introduction of a lateral line to an existing trunk line. Part numbers and pricing are determined by the tap dimension.

*Heavy gauges are available.

In-Cuts - Flanged



Galvanized and Stainless Steel

	Part #	Part #	
Dia.	30 deg	45 deg	GA
24"	24424.3	24424.45	18
26"	24426.3	24426.45	18
28"	24428.3	24428.45	18
30"	24430.3	24430.45	16
32"	24432.3	24432.45	16
34"	24434.3	24434.45	16
36"	24436.3	24436.45	16
38"	24438.3	24438.45	16
40"	24440.3	24440.45	16
42"	24442.3	24442.45	16
44"	24444.3	24444.45	16
46"	24446.3	24446.45	16
48"	24448.3	24448.45	16

***If using Stainless Steel, add an "SS" to the end of the Part#.**

Available in heavier gauges and larger sizes.

KB Duct Adapters Are Your Connection to Productivity

Adapters can be made to fit ANY AND ALL existing duct, hood connections, valves, collectors, machine ports, gates, etc. The ends can be fitted with a flange, expanded out, or pulled in to fit a specified dimension.



Adapters - Standard and Flanged

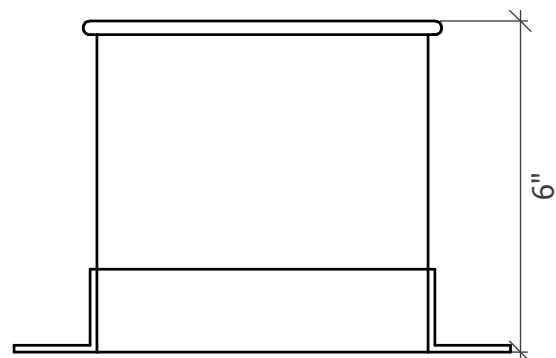


Dia.	Straight (non flanged)	Flanged	GA
	Part#	Part#	
3"	15003	15103	24
4"	15004	15104	24
5"	15005	15105	24
6"	15006	15106	24
7"	15007	15107	22
8"	15008	15108	22
9"	15009	15109	22
10"	15010	15110	22
11"	15011	15111	22
12"	15012	15112	22
13"	15013	15113	20
14"	15014	15114	20
15"	15015	15115	20
16"	15016	15116	20
17"	15017	15117	20
18"	15018	15118	20
19"	15019	15119	20
20"	15020	15120	20
22"	15022	15122	20
24"	15024	15124	20

If using Stainless Steel add an "SS" to the end of the part #.

Adapters can be made to fit ANY AND ALL existing duct, hood connections, valves, collectors, machine ports, gates, etc. The ends can be fitted with a flange, expanded out, or pulled in to fit a specified dimension. Adapters requiring greater than 1/8" increase or decrease from given size will be priced as a reducer.

*Heavier gauges and fully welded options are available.



Hose Adapters



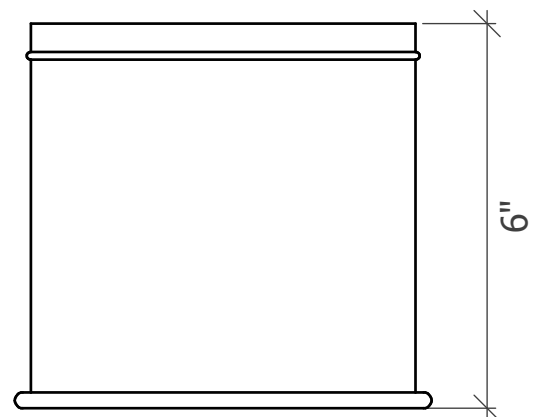
Dia.	Part#	GA
3"	15203	24
4"	15204	24
5"	15205	24
6"	15206	24
7"	15207	22
8"	15208	22
9"	15209	22
10"	15210	22
11"	15211	22
12"	15212	22
13"	15213	20
14"	15214	20
15"	15215	20
16"	15216	20
17"	15217	20
18"	15218	20
19"	15219	20
20"	15220	20
22"	15222	20
24"	15224	20

If using Stainless Steel add an "SS" to the end of the part #.

Hose Adapters are typically slipped into hose on one end and adapted to your ducting system on the other end. The "hose end" comes with a beaded rib to prevent hose from slipping off during use.

Adapters requiring greater than 1/8" increase or decrease from given size will be priced as a reducer.

*Heavier gauges and fully welded options are available.



Reducers



Dia.	Part#	GA
3"	16003	18
4"	16004	18
5"	16005	18
6"	16006	18
7"	16007	18
8"	16008	18
9"	16009	18
10"	16010	18
11"	16011	18
12"	16012	18
13"	16013	18
14"	16014	18
15"	16015	18
16"	16016	18
17"	16017	18
18"	16018	18
19"	16019	18
20"	16020	18
22"	16022	18
24"	16024	18

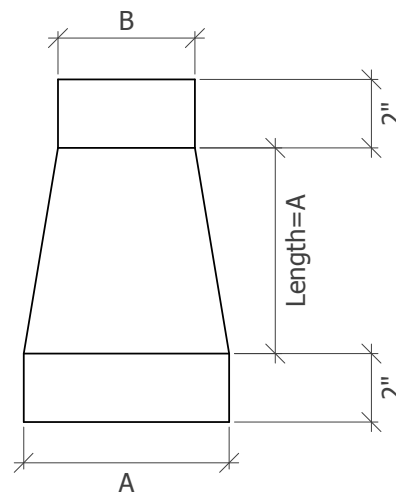
If using Stainless Steel add an "SS" to the end of the part #.

CONSTRUCTION:

18 gauge. The taper is lapped, spot welded and caulked.

Sized and priced by the large end ("A" Dimension).

*Heavier gauges and full welded options are available.



Reducers-Flanged



Galvanized and Stainless Steel

***If using Stainless Steel, add an "SS" to the end of the Part#.**

Reducers are priced by large end.

Available in heavier gauges and larger sizes.

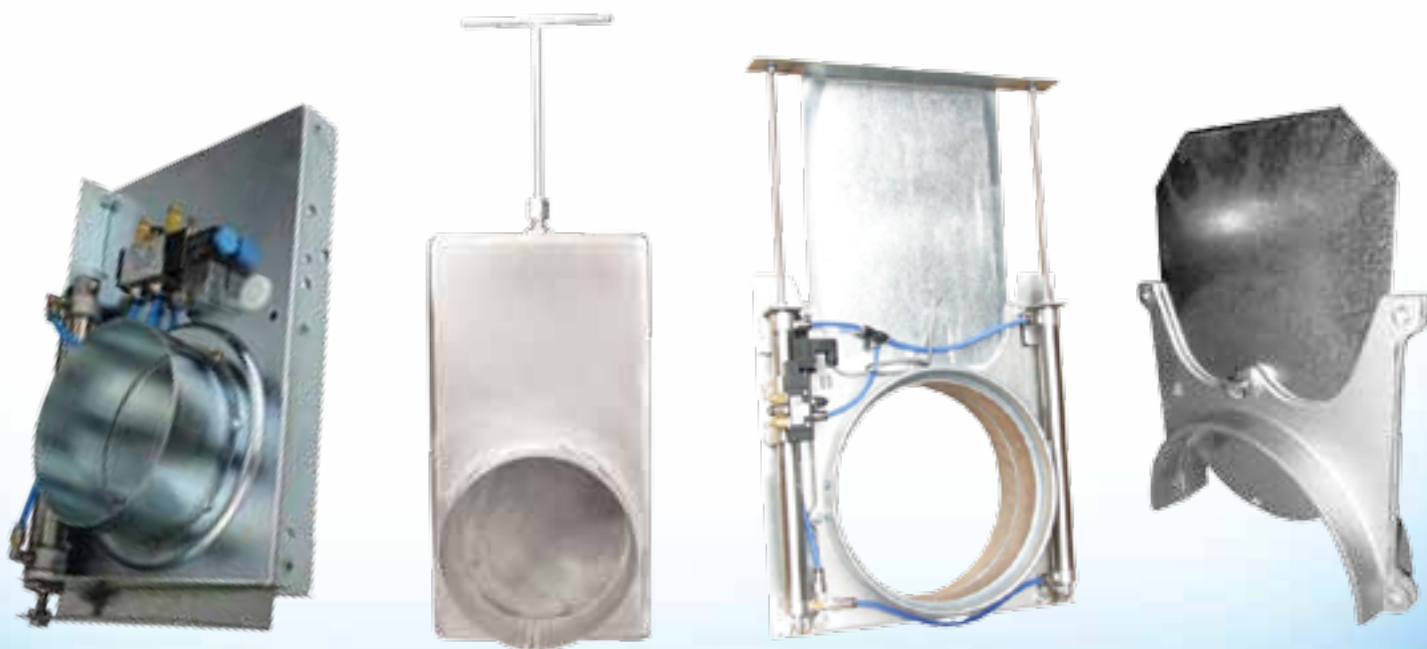
Call for pricing.

Dia.	Part#	GA
4"	26004	18
5"	26005	18
6"	26006	18
7"	26007	18
8"	26008	18
9"	26009	18
10"	26010	18
11"	26011	18
12"	26012	18
13"	26013	18
14"	26014	18
15"	26015	18
16"	26016	18
17"	26017	18
18"	26018	18
19"	26019	18
20"	26020	18
21"	26021	18
22"	26022	18
23"	26023	18
24"	26024	18
25"	26025	18
26"	26026	16
27"	26027	16
28"	26028	16
29"	26029	16
30"	26030	16
31"	26031	16
32"	26032	16
33"	26033	16
34"	26034	16
35"	26035	16
36"	26036	16
37"	26037	16
38"	26038	16
39"	26039	16
40"	26040	16
41"	26041	16
42"	26042	16
43"	26043	16
44"	26044	16
45"	26045	16
46"	26046	16
47"	26047	16
48"	26048	16

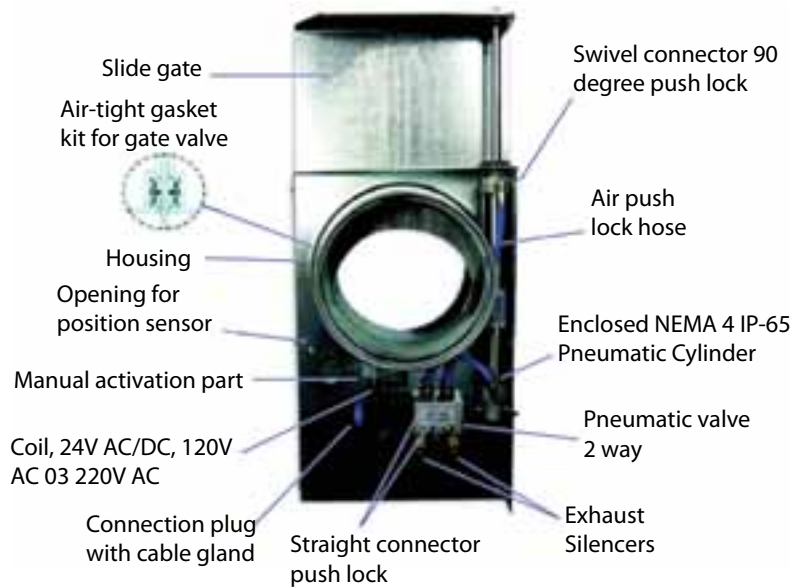
KB Duct Blast Gates & Cut-Offs Save Energy And Money

Perfect for balancing your system, or a duct run to a specific machine,
or an individual branch.

Blast Gates and Cutoffs are offered in multiple configurations to
meet the needs of any job specific criteria.



Air-Tight Automatic UHMW Gates



Dia.	GA
3"	14
4"	14
5"	14
6"	14
7"	14
8"	14
9"	14
10"	14
11"	14
12"	14
13"	14
14"	14
15"	14
16"	14
17"	14
18"	14
19"	14
20"	14
22"	14

SIZES: 2"-12" are standard.
Larger sizes are available upon request.

MATERIAL: Galvanized and Stainless Steel

CONSTRUCTION:

- Air-tight gasket kit for gate valve
- Enclosed NEMA 4 IP-65 Pneumatic Cylinder
- Cylinder requires 90 psi, but very little volume to operate
- Coil, 24V AC/DC, 120V AC 03 220V AC
- Manual and auto available

APPLICATION:

- Dust
- Fume
- Exhaust
- Paper trim

KB Duct Air-Tight UHMW Gates are electrically controlled, pneumatically operated gates. The solenoid is activated by virtually any electrical signal and then controls the air flow to the stainless cylinder. The cylinder requires 90 psi but very little volume to operate. Gates larger than 9" have two cylinders to ensure smooth operation.

Air-Tight Blast Gates

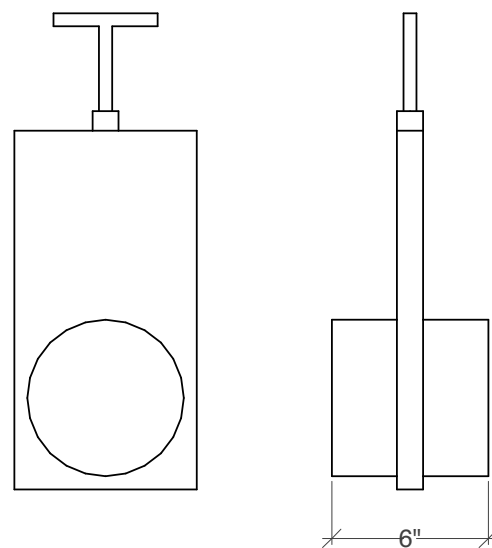


Dia.	Part #	GA
3"	18203	14
4"	18204	14
5"	18205	14
6"	18206	14
7"	18207	14
8"	18208	14
9"	18209	14
10"	18210	14
11"	18211	14
12"	18212	14
13"	18213	14
14"	18214	14
15"	18215	14
16"	18216	14
17"	18217	14
18"	18218	14
19"	18219	14
20"	18220	14
22"	18222	14
24"	18224	14

If using Stainless Steel add an "SS" to the end of the part #.

The **Air Tight Blast Gate** is used only in applications without particulate. Due to the fully welded construction, a cavity is formed for the blade to rest in; that cavity can accumulate particulate in material handling applications and cause the blade to jam. Because of this, only applications such as **oil mist, fume, exhaust** and **air** are acceptable. It is fully welded and air tight to the environment, but not air tight from one side of the blade to the next.

Also available in flanged ends.



Automatic Cut-offs



Dia.	Part #	# of Cyl
3"	A18003	1
4"	A18004	1
5"	A18005	1
6"	A18006	1
7"	A18007	1
8"	A18008	1
9"	A18009	2
10"	A18010	2
11"	A18011	2
12"	A18012	2
13"	A18013	2
14"	A18014	2
15"	A18015	2
16"	A18016	2
17"	A18017	2
18"	A18018	2
19"	A18019	2
20"	A18020	2
22"	A18022	2
24"	A18024	2

If using Stainless Steel add an "SS" to the end of the part #.

PROBLEM: Many companies have operations that struggle with collection systems that were (and still are) sized for operations that existed years ago when installed. Now, these needs have changed drastically. So how do you get air (suction) WHERE YOU NEED IT -- WHEN YOU NEED IT?

SOLUTION: Gates that operate automatically as machines (or control systems) turn on and off. Our automatic gates are air operated with electric solenoids activated by virtually any electrical signal. Automatic gates can also be combined with in-duct pressure sensors and Variable Frequency Drive (VFD) fans to control and optimize fan power consumption.

Cut-offs



Galvanized and Stainless Steel

Dia.	Part #	Part #
	Full	Half
3"	18003	18103
4"	18004	18104
5"	18005	18105
6"	18006	18106
7"	18007	18107
8"	18008	18108
9"	18009	18109
10"	18010	18110
11"	18011	18111
12"	18012	18112
14"	18014	18114
16"	18016	18116
18"	18018	18118
20"	18020	N/A
22"	18022	N/A
24"	18024	N/A

If using Stainless Steel add an "SS" to the end of the part #.

Cut-offs are used primarily to cut off air supply to areas when dust collection/ venting is not needed. This can improve performance in other areas or simply limit the size of the needed collector. Utilizing cut offs allow for a more balanced system.

Your **ONE STOP SHOP** For Component Parts

Call Today for Pricing



SparkBuster



No-Return Valve



Cut-offs



Blast Gates



Automatic Gates



Elbows



Floor Sweeps



Ball Joints



Branches



Reducers



Butterfly Dampers



Transitions



Slotted Hood



End Caps



Incut Branches



Silencer



Cleanout Doors



Vibration Dampener



Diverter Valves



Rain Cap



Flex Hose



Hanger Rings



Catches, Lugs, Handles

Ball Joints



Dia.	Part#
3"	19303
4"	19304
5"	19305
6"	19306
7"	19307
8"	19308
9"	19309
10"	19310
11"	19311
12"	19312

PROBLEM: CNC machines have wide ranges of movement.

SOLUTION: Ball joints swivel with the flex hose, to improve the movement and reduce the impact of the motion.

Flex Hoses



KB Duct offers flex hoses both in clear urethane and black thermoplastic.

KB Duct Blue Hose is comprised of clear urethane and is static dissipating. A coated, copper wire helix provides rigidity throughout the length of the hose. This hose is highly resistant to abrasion and is comprised of FDA safe materials.

KB Duct Black Hose provides an economical solution for light dust applications. Intermittent temperatures to 190° F.

Max stock length is 25' rolls. Custom hose lengths are available. Chemical resistant, insulated, flame retardant and high pressure hoses are available upon request as well.

Dia.	Black	Clear
	Part#	Part#
2"	18302	28402
2.5"	18302.5	28402.5
3"	18303	28403
4"	18304	28404
5"	18305	28405
6"	18306	28406
7"	18307	28407
8"	18308	28408
9"	18309	28409
10"	18310	28410
12"	18312	28412
14"	18314	28414
16"	18316	28416
18"	18318	call
20"	18320	call
24"	18324	call

Steel Flex Hoses



KB Duct offers Flex Hose in galvanized steel with a wide variety of material variations and accessories to meet virtually any application requirement: wood dust, plastics, polymers, chemicals, pharmaceuticals, oil mist, FDA and abrasives. Including high temperature and high pressure hoses.

Steel hose custom lengths are available.

Dia.	Rigid	Flexible
	Part#	Part#
2"	18502	
2.5"	18502.5	
3"	18503	18603
4"	18504	18604
5"	18505	18605
6"	18506	18606
7"	18507	18607
8"	18508	18608
9"	18509	
10"	18510	
12"	18512	

Bell Mouths



Dia.	Part#	GA
3"	16303	18
4"	16304	18
5"	16305	18
6"	16306	18
7"	16307	18
8"	16308	18
9"	16309	18
10"	16310	18
11"	16311	18
12"	16312	18
13"	16313	18
14"	16314	18
15"	16315	18
16"	16316	18
17"	16317	18
18"	16318	18
19"	16319	18
20"	16320	18
22"	16322	18
24"	16324	18

If using Stainless Steel add an "SS" to the end of the part #.

The Bell mouth Adapter is precision spun as a fitting that can be used for a pick up point. The flared end reduces static pressure loss and concentrates suction at the point of pickup.

Additional sizes and radii are available upon request.

Butterfly Valves

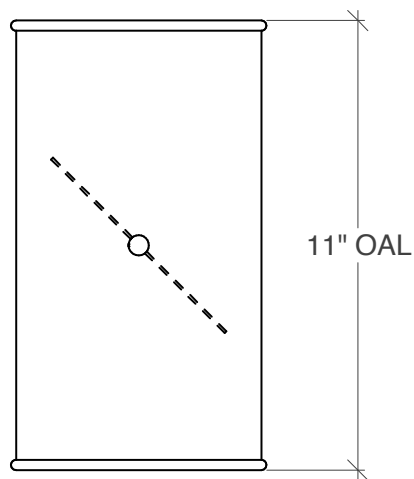


Galvanized and Stainless Steel



Dia.	Part#	GA
3"	19403	24
4"	19404	24
5"	19405	24
6"	19406	24
7"	19407	22
8"	19408	22
9"	19409	22
10"	19410	22
11"	19411	22
12"	19412	22
13"	19413	20
14"	19414	20
15"	19415	20
16"	19416	20
17"	19417	20
18"	19418	20
19"	19419	20
20"	19420	20
22"	19422	20
24"	19424	20

Other Butterfly Options



Floor Sweeps

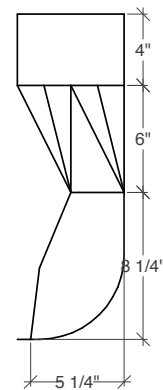
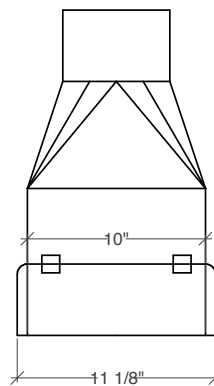


Dia.	Part#	GA
4"	19004	18
5"	19005	18
6"	19006	18
7"	19007	18
8"	19008	18

If using Stainless Steel add an "SS" to the end of the part #.

PROBLEM: Dust and residue clutter shop floors and create hazards.

SOLUTION: Fully welded. When closed, K&B floor sweeps are ideal for machining and cutting operations where dust is hard to collect and capture. Floor sweeps have tight fitting doors, conveniently opened by foot. Installed near drills, benches, CNC routers etc.



Gripple Hangers



Cable hangers are a quick and secure way to suspend duct. It is an especially good system to use for a quick and easy install.

Hangers must be selected and spaced based upon the weight of the DUCT AND MATERIAL being conveyed.

Contact KB Duct for assistance in selecting the correct Kwik Hanger

*SS hangers are also available

Size	#3			#4			#5		
	0°	30°	45°	0°	30°	45°	0°	30°	45°
Working Loads (lbs)	176	151	123	495	425	346	715	614	500
Break Loads (lbs)	1276			3300			4752		
Part No.	17100.3			17100.4			17100.5		

Saddle Hangers

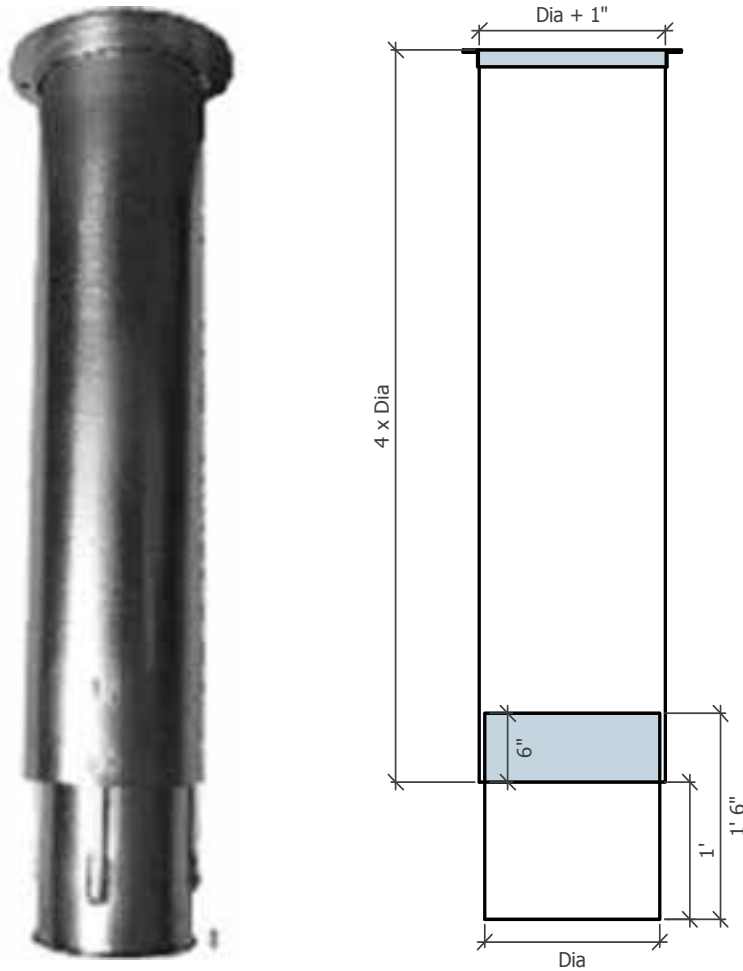


Saddle Hangers are used for hanging duct systems and reducing sway.

*SS hangers are also available.

Dia.	Part#	GA
4"	17004	16
5"	17005	16
6"	17006	16
7"	17007	16
8"	17008	16
9"	17009	16
10"	17010	16
11"	17011	14
12"	17012	14
13"	17013	14
14"	17014	14
15"	17015	14
16"	17016	14
17"	17017	14
18"	17018	14
19"	17019	14
20"	17020	14
22"	17022	14
24"	17024	14

No-Loss Stackheads



Dia.	Part#	GA
4"	19204	24
5"	19205	24
6"	19206	24
7"	19207	22
8"	19208	22
9"	19209	22
10"	19210	22
11"	19211	22
12"	19212	22
13"	19213	20
14"	19214	20
15"	19215	20
16"	19216	20
17"	19217	20
18"	19218	20
19"	19219	20
20"	19220	20
22"	19222	20

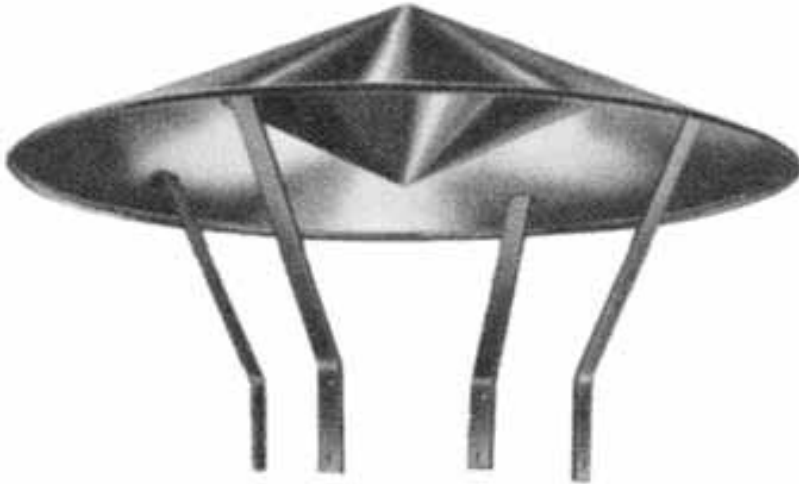
If using Stainless Steel add an "SS" to the end of the part #.

PROBLEM: When exhausting air into the atmosphere, rain caps, elbows and other components designed to prevent rain water from entering the duct and fan, cause back pressure that robs the fan's performance.

SOLUTION: No-Loss Stackheads, as the name implies, eliminate back pressure. The central exhaust duct is surrounded by 1" larger duct which extends higher than the central duct and is open at the bottom. Rain water falls into the larger duct, washes down the side of the larger duct and discharges at the bottom. Available in galvanized and stainless steel.

*Heavier gauges and full welded options are available.

Rain Caps

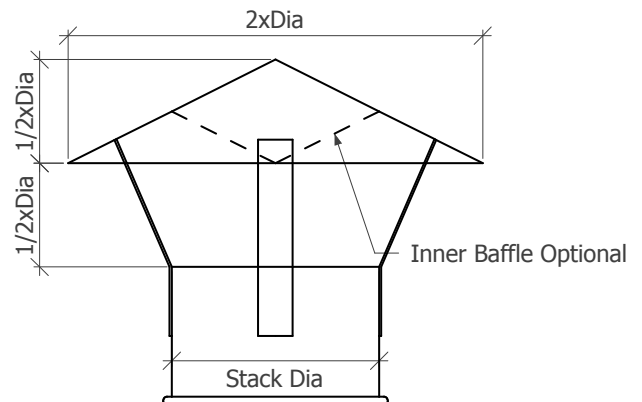


Dia.	GA
3"	22
4"	22
5"	22
6"	22
7"	22
8"	22
9"	22
10"	22
11"	22
12"	22
13"	22
14"	22
15"	20
16"	20
17"	20
18"	20
19"	20
20"	20
22"	20
24"	18

Rain Caps prevent weather and other debris from entering your ducting exhaust.

*An inner baffle can be included to reduce back pressure of the exhausting air.

*Heavier gauges and full welded options are available.



Viewing Spools



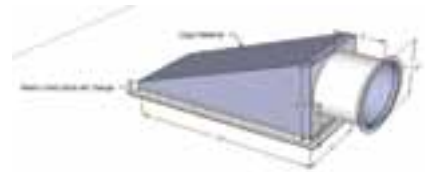
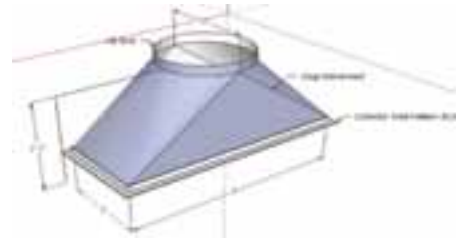
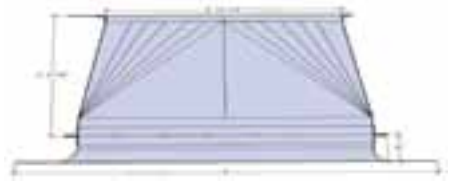
Dia.	Part#	GA
4"	17404	24
5"	17405	24
6"	17406	24
7"	17407	22
8"	17408	22
9"	17409	22
10"	17410	22
12"	17412	22
14"	17414	20

If using Stainless Steel add an "SS" to the end of the part #.

PROBLEM: How do operations that convey paper trim and other long, stringy material monitor the constant flow of material so that "breaks" and clogs are detected before the system plugs up completely?

SOLUTION: Our Viewing Spool, constructed using a heavy acrylic "spool" tightly coupled to duct adapters with a threaded rod, is a clear solution.

Custom Hood Designs



K&B Duct manufactures a variety of custom pieces. Simply contact K&B Duct with your specific dimensions.

Rectangular to Round Transitions Flanged



Galvanized and Stainless Steel

Hemmed		
Dia.	Part#	GA
See note for sizes under 24".		
24"	26124	18
26"	26126	18
28"	26128	18
30"	26130	16
32"	26132	16
34"	26134	16
36"	26136	16
38"	26138	16
40"	26140	16
42"	26142	16
44"	26144	16
46"	26146	16
48"	26148	16

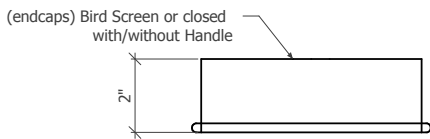
***If using Stainless Steel, add an "SS" to the end of the Part#.**

Transitions are built to your specifications.

Call for pricing.

Available in heavier gauges and larger sizes.

End Caps



Standard		
Dia.	Closed End	Bird Screen
	Part#	Part#
4"	19504	19604
5"	19505	19605
6"	19506	19606
7"	19507	19607
8"	19508	19608
9"	19509	19609
10"	19510	19610
11"	19511	19611
12"	19512	19612
13"	19513	19613
14"	19514	19614
15"	19515	19615
16"	19516	19616
17"	19517	19617
18"	19518	19618
19"	19519	19619
20"	19520	19620
22"	19522	19622
24"	19524	19624

Flanged		
Dia.	Closed End	Bird Screen
	Part#	Part#
4"	29504	29604
5"	29505	29605
6"	29506	29606
7"	29507	29607
8"	29508	29608
9"	29509	29609
10"	29510	29610
11"	29511	29611
12"	29512	29612
13"	29513	29613
14"	29514	29614
15"	29515	29615
16"	29516	29616
17"	29517	29617
18"	29518	29618
19"	29519	29619
20"	29520	29620
22"	29522	29622
24"	29524	29624
26"	29526	29626
28"	29528	29628
30"	29530	29630
32"	29532	29632
34"	29534	29634
36"	29536	29636
38"	29538	29638
40"	29540	29640
42"	29542	29642
44"	29544	29644
46"	29546	29646
48"	29548	29648

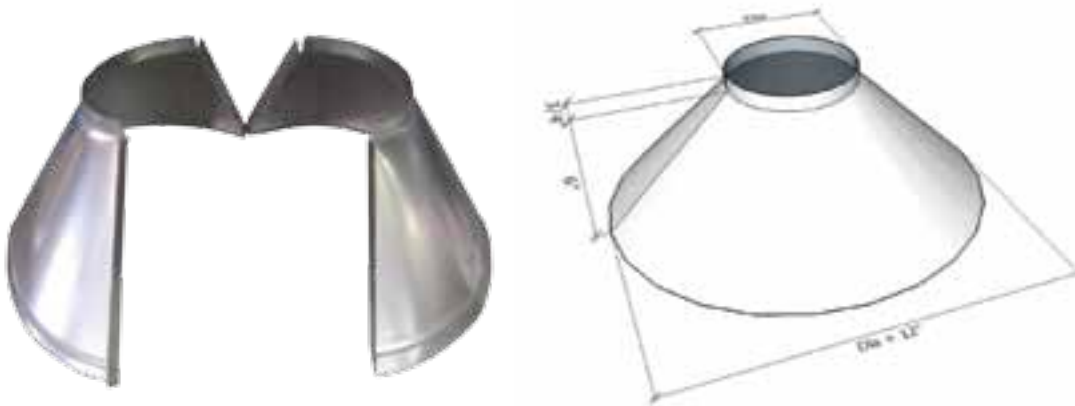
If using Stainless Steel add an "SS" to the end of the part #.

Standard End Caps are typically used to cap a duct line that will be used in the future. It can also be used as a clean out point or inspection port. Handles and chains are available options when ordering.

Bird Screen End Caps are typically used to allow air to be pulled through a duct line while preventing large particulate from entering.

*Heavier gauges and full welded options are available.

Stack Flanges



Dia.	Ga.
3"-19"	22
20"-24"	20
32"-48"	18

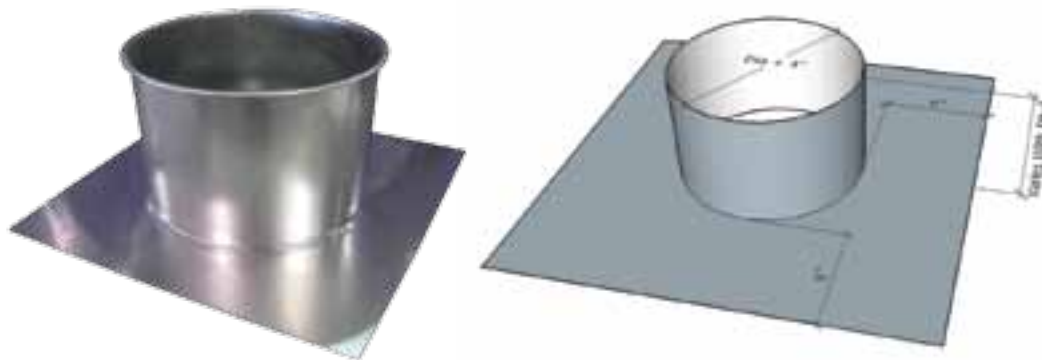
The Stack Flange is made in halves and works in conjunction with a Roof Flange. This setup provides a weather resistant barrier for your roof penetrating duct.

Stack Flanges should be ordered by duct sizes and can be provided for a flat or pitched roof.

Larger sizes quoted on request.

*Heavier gauges and full welded options are available.

Roof Flanges



Dia.	Ga.
3"-19"	22
20"-24"	20
32"-48"	18

The Roof Flange works in conjunction with a Stack Flange. This setup provides a weather resistant barrier for your roof penetrating duct.

Stack Flanges should be ordered by duct sizes and can be provided for a flat or pitched roof.

Larger sizes quoted on request.

*Heavier gauges and full welded options are available.

Not Just a Duct Company

KB Duct offers nearly every ducting component necessary for any industrial application or system.

Dust, oil mist, welding fume and more, KB offers specific products from Fume Arms to Oil Mist Accumulators and more.

No one else can offer you what KB offers.



Turnkey Solutions

Indoor and outdoor ducting.

No project is too big or too small, from the flex hose at each machine connection to a No-Loss Stack for your roof connection.

We even sell a wide array of hangers. From floor to roof we have you covered!

Energy & Maintenance Savings

A comprehensive line of manual and automatic gates work to adjust your airflow.

Summer/Winter Dampers work to save your heat in the Winter or your AC in the Summer.

Safety and Comfort

K&B offers a full range of products to keep your facility safe and running at a low noise volume.

A full line of ATEX Certified no return valve and abort gates prevent secondary explosions at the inlet and outlet of your filtration unit.

Fan silencers and vibration dampeners reduce vibration and noise throughout your ducting system.

K&B's SparKBuster eliminates sparks in fume and grinding applications to greatly reduce the chances of damaging your filtration equipment.

KB Duct NFPA No Return Valve



Meet 2014 NFPA Requirements* with the NEW KB Duct No Return Valves

No Return Valve (NRV) Dimensions (Sizes 7" to 28")

Rated for: Class ST 3 Applications Kst max 400 bar m/s P red 0.50 bar

Ø	A	B	C	D	E	F	G	H	I	LBS
7"	14.1	13.3	21.6	13.3	11.8	7.0	6.6	-	-	45
8"	14.1	13.3	21.6	13.3	11.8	7.0	6.6	-	-	45
10"	16.1	15.3	23.6	15.3	12.7	8.0	7.6	-	-	56
12"	18.1	17.3	26.3	23.6	13.7	9.0	8.6	-	4.5	84
14"	20.0	19.2	28.3	25.5	14.7	10.0	9.6	-	4.5	100
16"	22.0	23.2	30.3	29.5	15.7	11.0	10.6	13.7	6.4	120
18"	24.0	25.1	32.2	33.2	16.7	12.0	11.6	15.7	8.4	150
20"	25.9	27.1	34.2	38.7	17.7	12.9	12.5	18.1	12.4	177
22"	27.9	29.1	36.2	37.4	18.7	13.9	13.5	19.6	8.4	221
24"	29.9	31.1	38.1	41.1	19.6	14.9	14.5	21.6	10.4	254
26"	31.8	33.0	40.1	45.0	20.6	15.9	15.5	23.8	12.4	276
28"	33.8	35.0	42.1	47.0	21.6	16.9	16.5	25.5	12.4	298

No Return Valve (NRV) Dimensions (Sizes 32" to 40")

Rated for: Class ST 2 Applications Kst max 299 bar m/s P red 0.25 bar

Ø	A	B	C	D	E	F	G	H	I	LBS
32"	38.5	40.1	52.3	56.4	25.9	25.9	18.8	28.1	14.1	728
36"	42.5	44.5	56.2	60.4	27.9	27.9	20.8	27.9	14.1	860
40"	46.1	48.0	60.2	64.3	29.9	29.9	22.8	35.8	14.1	999

NRV Pressure Drop for Sizes 7" to 14" is 0.39" / Sizes 16" to 40" is 0.63"

Installing a KB Duct No-Return Explosion Isolation Valve will protect workers and facilities from the damaging effect of a baghouse or filter explosion.

Features & Benefits

- *ATEX certified (EN 16447)*
- Heavy duty welded steel construction
- Flanged inlet and outlet
- Inspection/access door
- Grounding lug
- Locking mechanism



The KB-NRV is 100% NFPA 69-2014 compliant with the following options:

- **0-KB-NRV-MS:** Micro-switch for system shut down
- **0-KB-NRV-DLS:** Dust level sensor
- **0-KB-NRV-CP:** Control panel for sensor power and integration

*The installation of an Explosion Isolation Device on all suction side ducts that transport material with a KST value above zero is an NFPA Requirement.

Inline Spark Buster



Cell Size	SCFM
8"	490-820
10"	790-1310
12"	1,100-1,840
14"	2,980-4,960
16"	1,800-3,000
20"	2,980-4,960
24"	4,420-7,360
30"	7,070-11,800
38"	11,300-18,800
48"	18,300-30,600
60"	28,900-48,200
72"	41,600-69,300
84"	56,500-94,200

The SparkBuster is a static mixing device that operates by cooling glowing embers within the exhaust ducting system. It cools the sparks by changing the characteristics of the gas flow through the duct from laminar to turbulent flow.

This change in type of flow causes a relative velocity difference between the sparks and the gas flowing past the sparks. It is effective when the air temperature in the process is lower than the spark temperature.

The sparks will be cooled to within 20 degrees of the gas temperature in the duct.

Cell size is determined by CFM not duct size.

Features & Benefits

- Cools sparks and embers
- Slim, in-line design
- Low to NO maintenance; auto self-cleaning option available
- NO moving parts
- Easy installation in new or existing system
- Compatible with flanged or clamp together systems

Fume Arms



Hanging fume arms provide the most economical and effective methods for the capture of fumes. The use of self-supporting joints, flexible hoses, and smooth bore tubing allow for easy placement of the arm's hood near the source of the particulate and smoke. Fume arm tubes are fabricated of steel with cast aluminum joints and are fully adjustable to the workers desired tension. The arms include a handle in order to facilitate easy re-positioning.

Features:

- External Joints
- Aluminum hood with diverter
- Swivel base with safety stop
- No internal adjustments
- Low static pressure
- 2 grab handles
- Powder coated inside and out

Options:

- Food grade hose
- High temperature hose
- Light kit
- Extension hood

Cyclones



Features & Benefits

- Full line available in standard configurations OR we will build to your specifications.
- Vortex breakers are standard and increase efficiency; can also be outfitted with air locks.
- Standard support structure provides 24" clearance; additional support structures and numerous outlet options are available.
- Galvanized metal and painted hot roll steel construction.
- Stainless Steel Available

K&B offers a full line of High Efficiency Cyclones in the standard configurations shown left, or they will build to your specifications.

K&B Vortex Breakers are standard and increase the efficiency. However the cyclones can also be outfitted with Air Locks.

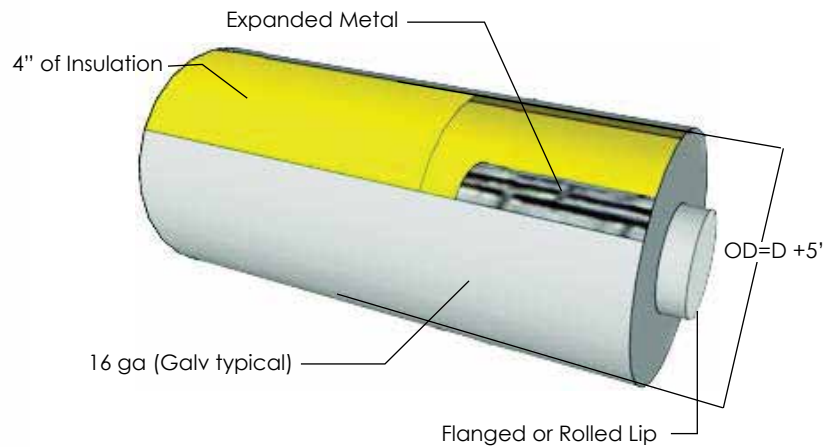
K&B fabricates structures and options. The standard structure provides 24" clearance. Additional support structures are available, as are numerous outlet options.

K&B Cyclones are available in galvanized metal and painted hot roll steel.

Size	CFM at Pressure Drop		Height* (Includes Vortex breaker)	Footprint	Inlet (H x W)	Outlet Dia.	Discharge
	2"	6"					
15	1500	2500	84"	25"x25"	15"x7.5"	14"	4"
19	2400	4000	105"	32"x32"	19"x9.5"	18"	4"
24	3800	6500	132"	38"x38"	24"x12"	23"	6"
30	6000	10000	164"	48"x48"	30"x15"	29"	6"
38	9600	16200	207"	59"x59"	38"x19"	37"	8"
48	15300	25900	260"	72"x72"	48"x24"	47"	12"
60	24000	40500	324"	88"x88"	60"x30"	60"	14"

* Height = outlet to bottom of vortex breaker. The stand extends 24" below the bottom of the breaker.

Silencers



Dia.	Part#
4"	17804
5"	17805
6"	17806
7"	17807
8"	17808
9"	17809
10"	17810
11"	17811
12"	17812
13"	17813
14"	17814
15"	17815
16"	17816
17"	17817
18"	17818
19"	17819
20"	17820
22"	17822
24"	17824

If using Stainless Steel add an "SS" to the end of the part #.

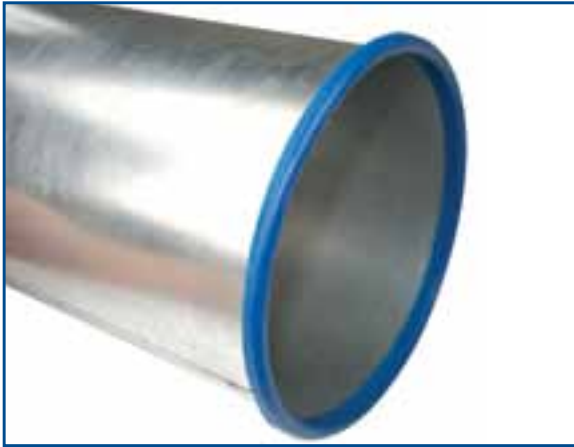
PROBLEM: As more and more systems are installed with air from fans/collectors evacuated into the atmosphere, attention is turning to noise reduction for plant personnel and neighbors.

SOLUTION: K&B Duct Silencers dampen that noise. Our Silencers are built so air passes through a chamber of expanded metal surrounded by more than 4" of insulation. Noise, generally created by turbulence and vibration of air molecules, is literally absorbed by the insulation. Normally, one unit is sufficient, but silencers can be placed in sequence for more severe applications.

Silencers are:

- High quality
- Heavy-duty 16 Gauge construction
- Extremely cost effective

NEW KB Blue Oil Mist Gaskets



Dia.	Part#
3"	40003B
4"	40004B
5"	40005B
6"	40006B
7"	40007B
8"	40008B
9"	40009B
10"	40010B
11"	40011B
12"	40012B
13"	40013B
14"	40014B
16"	40015B
17"	40016B
18"	40017B

KB Blue Leak Free gaskets are typically incorporated into ducting systems that experience heavy oil mist and are meant to provide extra protection from leaks.

Each gasket is molded to fit the contour of a rolled lip and **does not require any adhesive or tools for install**. One gasket is required for each duct or component connection in order to form a metal to rubber connection. Gaskets are placed to face towards the direction of air flow.

Diverter Valves



	Man.	Auto
Dia.	Part#	Part#
4"	19704	19804
5"	19705	19805
6"	19706	19806
7"	19707	19807
8"	19708	19808
9"	19709	19809
10"	19710	19810
11"	19711	19811
12"	19712	19812
13"	19713	19813
14"	19714	19814
15"	19715	19815
16"	19716	19816
17"	19717	19817
18"	19718	19818
19"	19719	19819
20"	19720	19820
22"	19722	19822

Available Sizes: 3" and up.
 Body is constructed of 3/16" thick hot roll (Painted).
 Transitions are constructed of 18 gauge galvanized unless otherwise requested.

If using Stainless Steel add an "SS" to the end of the part #.

PROBLEM: Both dust collection and material transfer require material be diverted to (or from) several different locations (machines, bins, hoppers, trucks, vats, etc.).

SOLUTION: K&B Duct's heavy duty (3/16" construction) Diverter Valves provide manual or automatic (pictured) material/air diverting. The heavy duty door (flap), with (replaceable) heavy rubber seal, controls the direction of flow.

Flanged ends are also available.

Size A"	Over All Length B"	Main Body Length C"	Transition Length D"	Access Door E
4	33.5625	21.5625	4 + 2 collars	4 x 3
5	35.5625	21.5625	5 + 2 collars	4 x 3
6	37.5625	21.5625	6 + 2 collars	4 x 3
7	38.562	20.562	7 + 2 collars	7 x 4
8	41.53	21.53	8 + 2 collars	7 x 4
9	38.75	16.75	9 + 2 collars	5 x 8
10	45.1406	21.1406	10 + 2 collars	5 x 8
11	50	24	11 + 2 collars	10 x 7
12	52	24	12 + 2 collars	10 x 7
13	56.875	26.875	13 + 2 collars	13 x 9
14	58.875	26.875	14 + 2 collars	13 x 9
15	62.25	28.25	15 + 2 collars	14 x 12
16	65.625	29.625	16 + 2 collars	14 x 12
17	70.4375	32.4375	17 + 2 collars	15 x 12
18	72.4375	32.4375	18 + 2 collars	15 x 12
19	84.125	40.125	19 + 2 collars	22 x 19.5
20	86.125	40.125	20 + 2 collars	22 x 19.5
22	88.125	40.125	22 + 2 collars	22 x 19.5
24	92.9375	40.9375	24 + 2 collars	22 x 19.5
26	99.75	43.75	26 + 2 collars	22 x 19.5

Solution Products

Oil Mist Accumulator



Horizontal version available

Dia.	Part#	GA
4"	19904	24
5"	19905	24
6"	19906	24
7"	19907	22
8"	19908	22
9"	19909	22
10"	19910	22
11"	19911	22
12"	19912	22

If using Stainless Steel add an "SS" to the end of the part #.

A series of simple, expanded metal cones allow the droplets to condense on the surface, then drain to the outside of the accumulator (out of the air stream) where they drop into the sump.

A drain hose returns the collected effluent to the machine.

Oil Mist Curb



If using Stainless Steel add an "SS" to the end of the part #.

PROBLEM: Rubber flex (a preferred method for final connection of duct) may not seal tightly around pick-ups in oil mist applications. Oil/effluent that condenses on the side of the hose leaks out between the hose and the connection. **Result:** oil collects on top of the machine and, with time, runs down the machine causing slick spots on the floor.

SOLUTION: Our Oil Mist Curb addresses the leaking oil NOT BY STOPPING IT (a virtual impossibility) but by collecting it in a sealed curb, allowing it to "leak" back into the machine through "weep" holes.

Dia.	Part#	GA
4"	18904	24
5"	18905	24
6"	18906	24
7"	18907	22
8"	18908	22
9"	18909	22
10"	18910	22
11"	18911	22
12"	18912	22

Vibration Dampeners



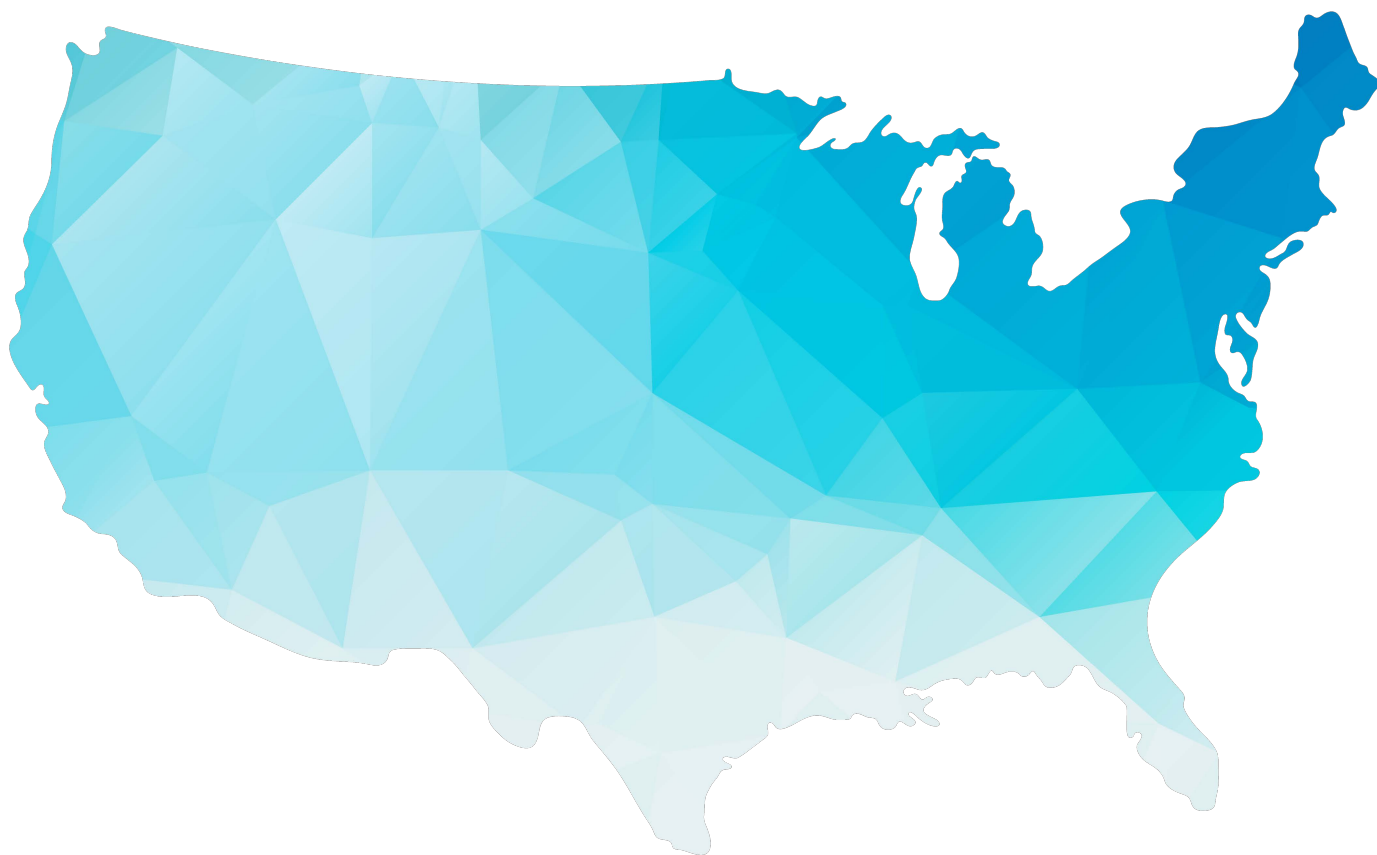
If using Stainless Steel add an "SS" to the end of the part #.

Vibration Dampeners effectively separate a fan from a ducting system and reduce vibration. They can be adapted on each end to match any fan inlet dimension and duct system.

Standard rubber
Comprised of 1/8" EPDM that is stitched and glued. Red Silicone Rubber and other materials are available upon request.

Dia.	Part#	GA
4	15404	20
5	15405	20
6	15406	20
7	15407	20
8	15408	20
9	15409	20
10	15410	20
12	15412	20
14	15414	20
16	15416	20
18	15418	20
20	15420	20
22	15422	20
24	15424	20
26	15426	20
28	15428	20
30	15430	20

**KB Duct is *NOW* Stocking More Duct Components,
Guaranteeing *FASTER DELIVERY* and *OUTSTANDING SERVICE* !**



Industrial Ductwork Solutions for a cleaner, safer working environment

KB Duct

A CECO Environmental Brand

Toll Free: 1.866.562.3828

www.cecoenviro.com

[/kbduct](http://www.cecoenviro.com/kbduct)

KB DUCT- NORTH CAROLINA FACILITY

8735 West Market Street

Greensboro, North Carolina 27409

Phone: 336.668.3773

Fax: 336.668.0043